

CD AUTO CHANGER

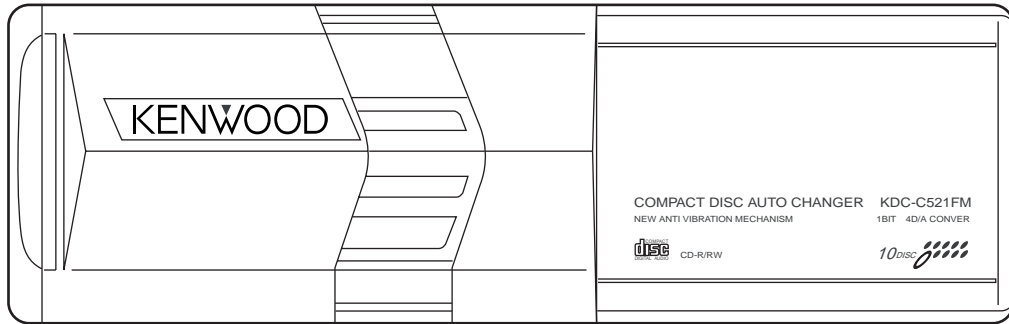
KDC-C471FM KDC-C521FM SERVICE MANUAL

KENWOOD

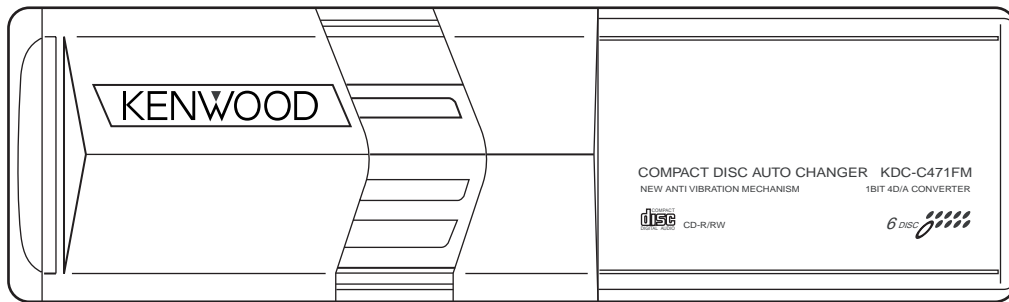
© 2004-3 PRINTED IN JAPAN
B53-0152-00 (N) 2703

When transporting these models, always attach CAUTION CARD and STEPPED SCREW (for transportation).

KDC-C521FM



KDC-C471FM



Tray (J99-0614-01)

Holder assy (J19-5146-02) : KDC-C521FM (J19-5149-02) : KDC-C471FM

Cord with plug (5m) (E30-4711-05)

Bracket (J19-5018-03) : KDC-C521FM (J19-5020-03) : KDC-C471FM

Screw set (N99-1645-15)

Bracket (J19-5019-03) : KDC-C521FM (J19-5021-03) : KDC-C471FM

Control unit (Display unit)

RF Modulator

Remote controller assy (A70-2051-05) (RC-535) : KDC-C521FM (A70-2052-05) (RC-525) : KDC-C471FM

Size AAA battery (Not supplied)

Unit holder (J19-7009-08)

Velcro (W01-1633-08)

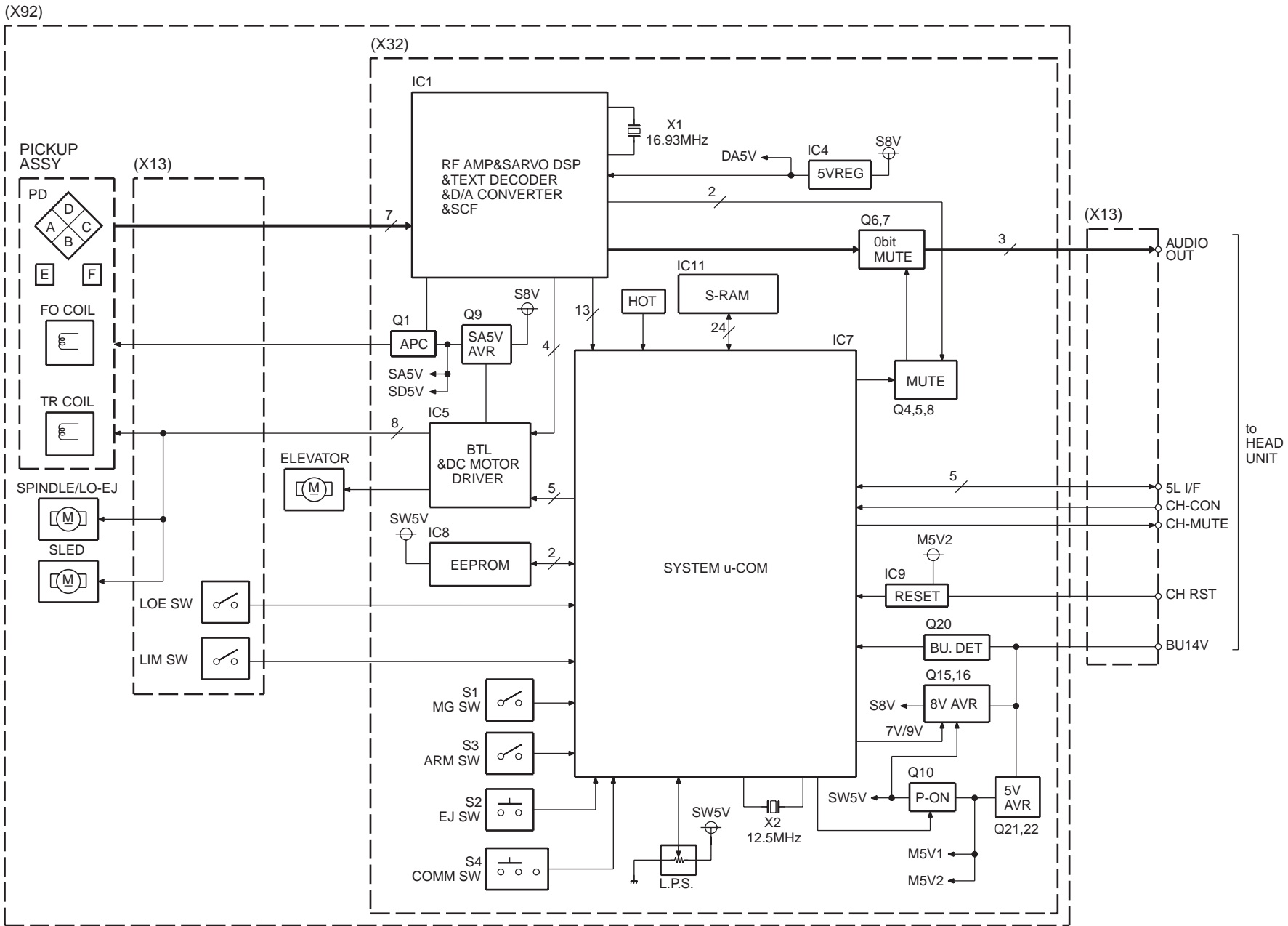
Screw (N99-1755-08) x2

Antenna adaptor (T90-0512-05) (E type only)

Antenna adaptor (T90-0521-05) (E type only)

Except KDC-C471FM (K type)

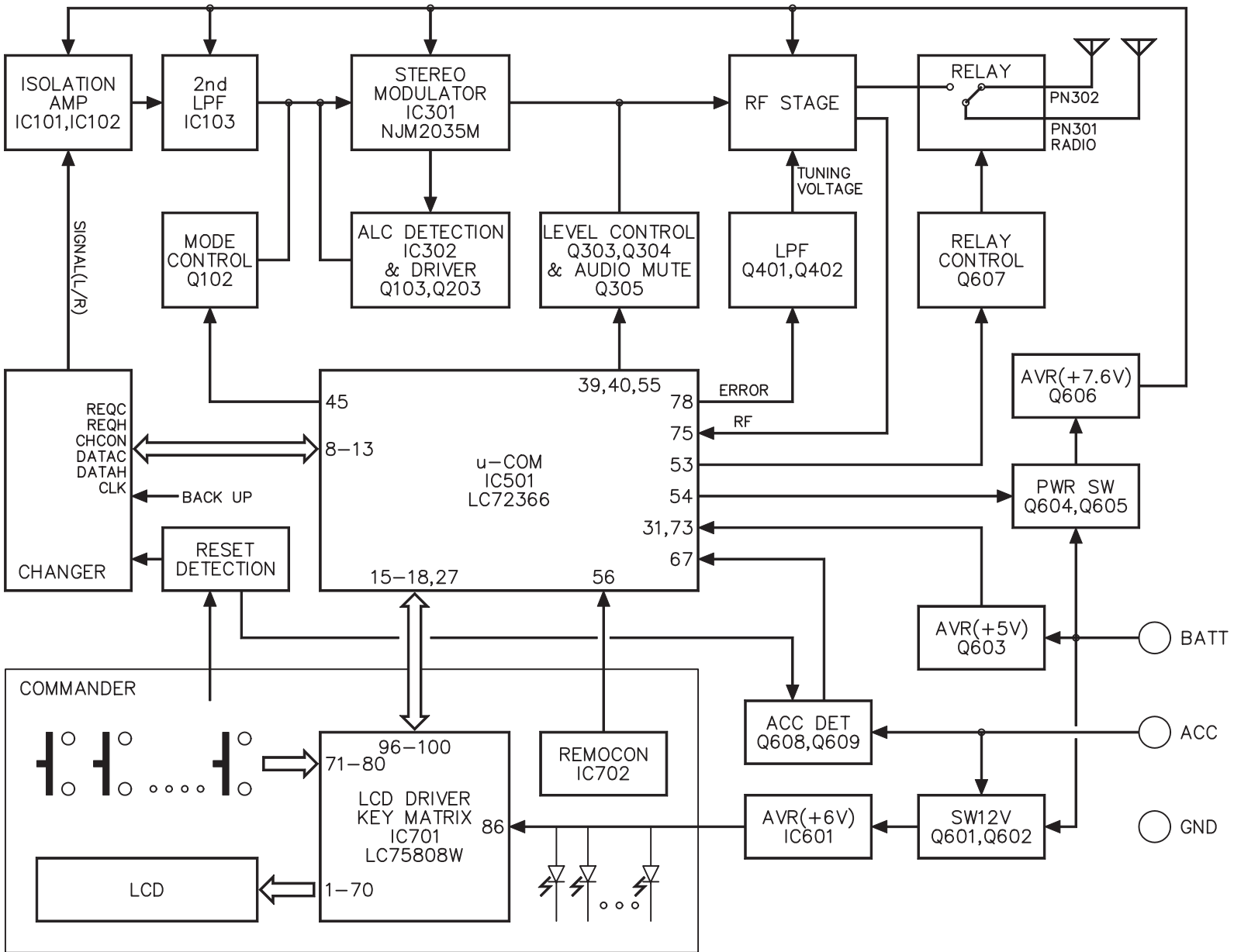




BLOCK DIAGRAM

KDC-C471FM/C521FM

(FM MODULATOR)



BLOCK DIAGRAM

KDC-C471FM/C521FM

COMPONENTS DESCRIPTION

● CD PLAYER UNIT (X32-5470-01)

Ref. No.	Application / Function	Operation / Condition / Compatibility
IC1	Servo IC	RF amplifier built in digital servo and data processor IC. Focusing, tracking, sled and spindle servo processing. Detection of dropout, anti-shock, track crossing and off-track conditions. Automatic adjustment (focusing, tracking, gain, offset and balance) operations. Digital signal processing (DSP, PLL, sub-codes, CD-TEXT decode, CIRC error correction, audio data interpolation) operations.
IC4	+5V AVR	Analogue output circuit power supply for D/A converter.
IC5	Motor driver	Focusing coil, tracking coil, spindle motor and sled motor driver. VO1~VO4 and VOL outputs ON/OFF function. While MUTE1 goes "Hi", VO1 outputs are turned on. While MUTE2 goes "Hi", VO2~VO4 and VOL outputs are turned on. VIN1 amplifier function (input selection and VREF selection) 1. Input selection. While VIN SW terminal goes "Lo", IC pin 15, 16 and 17 inputs are selected. While VIN SW terminal goes "Hi", IC pin 15, 18 and 19 inputs are selected. 2. VREF selection. While VIN SW terminal goes "Lo", internal VREF (2.5V typical) is selected. While VIN SW terminal goes "Hi", external VREF (IC pin 30 input) is selected.
IC7	Mechanism μ -COM	Mechanism and servo control.
IC8	EEPROM	LPS data back-up memory.
IC9	Reset IC	When BU 5V voltage is less than 3.0V, IC outputs "Lo".
Q1	APC	Laser diode auto power control.
Q4	0 bit mute (L CH.)	When 0 bit mute is activated, an emitter goes "Hi", and Q4 outputs "Hi".
Q5	0 bit mute (R CH.)	When 0 bit mute is activated, an emitter goes "Hi", and Q5 outputs "Hi".
Q6	Mute SW (L CH.)	When 0 bit mute or A mute drive is activated, a base goes "Hi", and L channel audio signal is muted.
Q7	Mute SW (R CH.)	When 0 bit mute or A mute drive is activated, a base goes "Hi", and R channel audio signal is muted.
Q8	A mute drive	When audio mute of IC7 is activated, a base goes "Lo", and audio mute drive signal is outputted.
Q9	Servo 5V AVR	Q9 is combined with IC5's pin 26 and 27, and works as a driver of AVR.
Q10	P-ON 5V SW	While base goes "Lo", P-ON 5V is supplied to the microprocessor peripheral circuits.
Q11	Reset SW	When System Reset has activated, a base goes "Hi", and Q11 is turned on.
Q13	CH CON SW	While CH CON or CH-CON2 mode is selected, a base goes "Hi", and Q13 is turned on.
Q14	CH MUTE SW	When MUTE REQUEST to H/U is outputted, a base goes "Lo", and Q14 is turned on.
Q16	SRV 8V AVR	Q16 is combined with Q15 (X92-), and works as a pre-driver of AVR.
Q17,18	SRV 8V AVR SW	When Q18's base goes "Hi", Q17 is turned on, and SVR 8V AVR is working.
Q19	7/9V SW	When a base goes "Hi", Q19 is turned on, and SVR 8V AVR is outputting +7V. When a base goes "Lo", Q19 is turned off, and SVR 8V AVR is outputting +8.5V.
Q20	BU DETECTION SW	While BACKUP is applied, a base goes "Hi", and Q20 is turned on. When momentary power down has detected, a base goes "Lo", and Q20 is turned off.

COMPONENTS DESCRIPTION

Ref. No.	Application / Function	Operation / Condition / Compatibility
Q21,22	BU 5V AVR	While BACKUP is applied, AVR outputs +5V. Q21 and Q22 are inverted Darlington connection.
Q30	Eccentric disc SW	When an eccentric disc is detected, Q30 is turned on, and a preceding beam is made to be delayed.
Q31	VIN SW	While spindle servo or disc loading/eject mode is selected, a base goes "Hi", and Q31 is turned on.

● CONTROL UNIT

Ref. No.	Application / Function	Operation / Condition / Compatibility
IC701	LCD Driver with Key-matrix	
IC702	Remote Control Light Sensor	
Q701	LED ON/OFF SW	
Q702	Key-matrix Permission SW	
Q703	Remote Control ON/OFF SW	

● FM MODULATOR UNIT

Ref. No.	Application / Function	Operation / Condition / Compatibility
IC101,102	GND Isolation AMP	
IC103	Low Pass Filter	
IC301	FM Stereo Modulator	
IC302	1/2 Vcc Driver, ALC Detection Amp	
IC501	System μ com	
IC601	6V AVR	
Q102	L/R Mixer SW	D.cont off : L, D.cont on : H
Q103,203	ALC Control SW	
Q301	Composite Buffer	
Q303,304	Level Control SW	LEVEL 1/2 : L, LEVEL 3/4 : H, LEVEL 2/4 : L, LEVEL 1/3 : H
Q305	Audio Mute	Power on : L, Power off : H
Q351	Temperature compensation	
Q401,402	PLL Low Pass Filter	
Q411	RF Amp	
Q501	Changer Reset SW	
Q502	Reset SW	
Q601,602	Display Unit Power SW	
Q603	Backup 5V AVR	
Q604,605	Power SW	
Q606	8V AVR	
Q607	Relay Driver	
Q608	ACC Detection	
Q609	Hold Detection	

MICROCOMPUTER'S TERMINAL DESCRIPTION

● MECHANISM MICROCOMPUTER : 784214AGC-165 (X32 : IC7)

Pin No.	Pin Name	I/O	Description	Processing Operation
1	NOR/RW	O	CD-DA/CD-RW Switching	Not used (N.C.)
2	$\overline{\text{TSTB}}$	O	CD-TEXT parameter strobe	
3	P-CON	O	P-CON output	Not used (N.C.)
4	FOK	I	Focus OK input	"Hi" : Focus OK
5	$\overline{\text{XTALEN}}$	O	Servo IC oscillation stop control	"Hi" : Oscillation stop
6	RST	O	Servo IC reset terminal	"Lo" : Reset
7	SAO	O	Servo IC command/parameter setting terminal	"Hi" : Parameter setting, "Lo" : Address register setting
8	SSTB	O	Servo IC command/parameter setting strobe terminal	"Hi"→"Lo" : Serial data latch
9	VDD	-	Positive power supply connection terminal	Connected to D 5V lines
10	X2	-	Main clock resonator connection terminal 2	
11	X1	I	Main clock resonator connection terminal 1	
12	VSS	-	Ground connection terminal	Connected to GND lines
13	XT2	-	Sub clock resonator connection terminal 2	Not used (N.C.)
14	XT1	I	Sub clock resonator connection terminal 1	Not used (connected to GND lines)
15	RESET	I	System reset input	"Lo" : System reset
16	FOGUP	I	Vibration detect input	"Hi" : Vibration detect
17	MGSW	I	Magazine switch input	"Hi" : Magazine in
18	EJSW	I	Eject switch input	"Hi" : Eject switch ON
19	COMMSW	I	5-line communication old/new switch input	"Hi" : New communication, "Lo" : Old communication
20	PACK	I	Text data pack synchronous signal input	"Hi"→"Lo" : The head of the pack data
21	CH-CON	I	Changer control input	"Hi" : Standby mode, "Lo" : Operation mode
22	BUDET	I	Momentary power down detection input	"Hi" : When momentary power down detected or BU OFF "Lo" : BU ON
23	AVDD	-	A/D converter positive power supply connection terminal	Connected to D 5V lines
24	AVREF0	I	A/D converter reference voltage input	Connected to PON 5V lines
25	HOT	I	Rise in temperature detection input	
26	LPS	I	LPS Mechanical deck position detection input	
27	LOESW	I	Loading complete switch input	"Lo" : Loading complete
28	LIMSW	I	Limit switch input	"Lo" : Pickup most inner position
29	TOFF	I	Tracking OFF mode terminal	Not used (pull down to GND lines)
30	ADJSEL	I	Servo automatic adjustment ON/OFF terminal	Not used (pull down to GND lines)
31	TBANK	I	Tracking gain switching mode terminal	Not used (pull down to GND lines)
32	SIM2	I	Destination input 2	Not used (pull down to GND lines)
33	AVSS	-	A/D, D/A converter ground connection terminal	Connected to GND lines
34	LPSCO	O	LPS A/D converter reference power control output	Not used (N.C.)
35	AMUTE	O	Audio mute output	"Lo" : Audio mute ON
36	AVREF1	I	D/A converter reference voltage input	Connected to D 5V lines
37	SDI	I	Servo IC communication serial data input	
38	SDO	O	Servo IC communication serial data output	
39	SCK	O	Servo IC communication serial clock output	

MICROCOMPUTER'S TERMINAL DESCRIPTION

Pin No.	Pin Name	I/O	Description	Processing Operation
40	DATAH	I	Data input from H/U	
41	DATAO	O	Data output from the changer	
42	HCLK	I/O	Communication clock input/output with H/U	
43	RECQC	O	Communication request to H/U	"Lo" : Communication requested
44	CHMUTE	O	Audio mute request to H/U	"Lo" : Audio mute requested
45	TSI	I	Text data input from servo IC	
46	TSO	O	Text data output to servo IC	
47	T \overline SCK	O	Text data clock to servo IC	
48~55	A0~A7	O	Address setting terminal for S RAM	
56~63	D0~D7	I/O	Data input/output terminal with S RAM	
64~68	A8~A12	O	Address setting terminal for S RAM	
69~71	A13~A15	O	Chip enable setting terminal for S RAM	Not used (pull down to GND lines)
72	VSS	-	Ground connection terminal	Connected to GND lines
73	A16	O	Chip enable setting terminal for S RAM	Not used (pull down to GND lines)
74	A17	O	Chip enable setting terminal for S RAM	
75	RAMOK	O	Pickup check judging terminal for production	Not used (N.C.)
76	ELVADJ	I	Mechanism deck ascent/descent position terminal	Not used (pull up to D 5V lines)
77	RD	O	Read-out to S RAM control output	
78	WR	O	Write to S RAM control output	
79	WAIT	I	Waiting time insertion input when accessing S RAM	Not used (pull down to GND lines)
80	ASTB	O	Chip selection to S RAM	Not used (N.C.)
81	VDD	-	Positive power supply connection terminal	Connected to D 5V lines
82	PUSEL	I	Pickup type select terminal	Pull up to D 5V lines
83	REQH	I	Communication request from H/U	"Lo" : Communication requested
84	SPLO+	O	Spindle/Loading control terminal	
85	SPLO-	O	Spindle/Loading control terminal	
86	ELV+	O	Mechanism deck ascent/descent terminal	
87	ELV-	O	Mechanism deck ascent/descent terminal	
88	SIM1	I	Destination input 1	"Lo" : adapted for CD-TEXT, "Hi" : not adapted for CD-TEXT
89	SEARCH	O	Search mode output	Not used (N.C.)
90	TEST1	I	Test mode terminal 1 for test mode	Not used (pull down to GND lines)
91	TEST2	I	Test mode terminal 2 for test mode	Not used (pull down to GND lines)
92	8/7V	O	Motor driver IC power voltage control output	"Hi" : 7V, "Lo" : 8.5V
93	EEPWR	I	EEPROM write mode terminal for production	Not used (pull down to GND lines)
94	TEST/VPP	I	Flash ROM program mode terminal	Not used (connected to GND lines)
95	SRVSEL	I	Servo active mode terminal (no mechanism movement)	Not used (pull down to GND lines)
96	SLNSA	I	Sled non-sensitive area ON/OFF terminal	Not used (pull down to GND lines)
97	SDA	I/O	Data input/output with EEPROM	
98	SCL	O	Clock output to EEPROM	
99	PON	O	PON output	"Lo" : AVR & LPS POWER ON
100	ARMSW	I	Arm switch input	"Hi" : Arm switch ON

MICROCOMPUTER'S TERMINAL DESCRIPTION

● SYSTEM MICROCOMPUTER : LC72366-9B63 (FM MODULATOR UNIT : IC501)

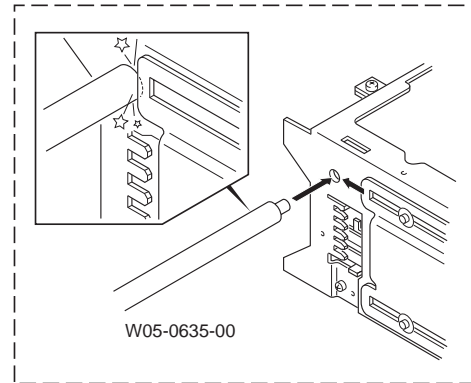
Pin No.	Pin Name	I/O	Terminal name	Description	Operation in HOLD
1	XIN	I	X IN	X_tal	-
2	TEST2	-	GND	Ground connection terminal	-
3~5	PG3~1	O	NC	Not used (pull down to GND lines.)	L
6	PG0	I	GND	Connected to GND lines.	-
7	PF3	O	NC	Not used (open)	L
8	PF2	I	$\overline{\text{REQC}}$	CD-Changer REQC (Active "Low")	-
9	PF1	O	$\overline{\text{REQH}}$	CD-Changer REQH (Active "Low")	H
10	PF0	O	CHCON	CD-Changer ON	L
11	SI2	I	CH_DATA_C	CD-Changer DATA in	-
12	SO2	O	CH_DATA_H	CD-Changer DATA out	L
13	SCK2	O	$\overline{\text{CH_CLK}}$	CD-Changer DATA SCK (Active "Low")	H
14	PE0	O	NC	Not used (open)	L
15	PD3	O	LCD DATA out	LCD Driver DATA out	L
16	PD2	O	LCD CLK	LCD Driver CLK out	L
17	PD1	O	LCD RESET	LCD Driver RESET out	L
18	PD0	O	LCD CE	LCD Driver CE out	L
19~26	PC3~PB0	O	NC	Not used (open)	L
27	PA3	I	LCD DATA in	LCD Driver DATA in	-
28~30	PA2~0	I	NC	Not used (pull down to GND lines.)	-
31	VDD	-	Vdd	5V	-
32	PQ0	O	NC	Not used (open)	L
33~44	PP3~PN0	O	GAIN12~1	Modulation output switching	L
45	PM3	O	SEP-ATT	When it has GAIN5 output, "Hi" output	L
46~52	PM2~PL0	O	NC	Not used (open)	L
53	PK3	O	RELAY	Antenna relay control output terminal	L
54	PK2	O	P-on	P_ON	L
55	PK1	O	MUTE	Mute output terminal for the Tuner frequency change	L
56	INT0	I	REMOCON	Remote controller signal input	
57~60	PJ3~0	O	NC	Not used (open)	L
61~66	PI1~PH0	I	NC	Not used (pull down to GND lines.)	-
67	$\overline{\text{HOLD}}$	I	$\overline{\text{HOLD}}$	ACC detection (Operation in HOLD "Low")	L
68	$\overline{\text{SNS}}$	I	Vdd	Vdd	-
69	LCTR	I	NC	Not used (pull down to GND lines.)	-
70	HCTR	I	NC	Not used (pull down to GND lines.)	-
71	EO3	O	NC	Not used (open)	Hi-Z
72	SUBPD	O	NC	Not used (open)	Hi-Z
73	VDD	-	Vdd	Vdd	-
74	AMIN	I	NC	Not used (pull down to GND lines.)	-
75	FMIN	I	VCO in	VCO input	-
76	VSS	-	Vss	Vss	-
77	EO2	O	NC	Not used (open)	Hi-Z
78	EO1	O	Error out	Phase Detector Error output	Hi-Z
79	TEST1	-	NC	Not used (pull down to GND lines.)	-
80	XOUT	O	X-out	X-tal	

ADJUSTMENT

● L.P.S. initial position adjustment procedure

1. Connect the changer to the HEAD UNIT (H/U).
2. While holding the magazine eject button of the changer, press the reset button of the H/U.
3. After about 3 seconds, release the magazine eject button.
4. Press the SRC button of the H/U to enter the CD-CH mode, and the H/U's display section indicates "E-88".
5. Move the mechanism deck to around the 1st stage by pressing the DISC- or DISC+ button.
6. Insert the adjustment tool (W05-0635-00) into the tool hole on the changer mechanism.
7. Then press the DISC+ button to move the mechanism deck until the mechanism's slider hits the adjustment tool.
8. When the motor locks (stops), press the REPEAT key of the H/U.

When the REPEAT key is pressed, the mechanism moves automatically to the 1st stage and the initial position adjustment completes. (The data is written in the EEPROM at this time.)



● Caution : Note on IC8 (EEPROM)

Be sure to use the W05-0869-00 when replacing the EEPROM. IC8 stores the digital servo data of the pickup servo.

Therefore, if the EEPROM does not store servo data, ERROR76 (E-76) will indicate the H/U's display section at the moment CD is played.

Instrument :

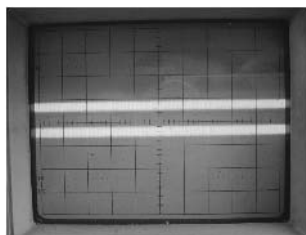
SSG, OSC (5MHz), AC VOLTMETER, PWR SUPPLY, H/UNIT, CD-CH

No.	ITEM	INPUT SETTINGS	OUTPUT SETTINGS	RECEIVER (MODULATOR) FREQ	ALIGNMENT POINTS	ALIGN FOR	FIG.
1	L/R Balance Adj.	CD-CH signal off (Tr No.29 or Pause)	Connect a Oscilloscope to Q301 Base.	88.3MHz	VR301	Min Level	(a)
2	Moduration level Adj.	1. Ref.FM 1kHz 80dB μ V Stereo, CD-CH Tr No.1 2. D.Cont Off MOD Lv:2	Connect a AC voltmeter to Receiver PreOut	88.3MHz	VR302	Difference between FM and a CD-CH level is adjusted to (-0.5 \pm 1.0dB).	

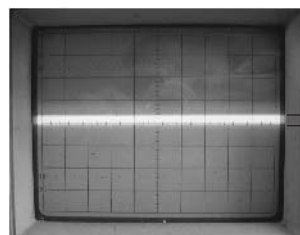
* After Adj. The glue is applied to VR301, VR302.

(Scope Setting Condition for L/R BAL. Adj.)

1. VOLTAGE RANGE : 5mV
2. TIME/DIV : 50 μ s



(Before Adj.)



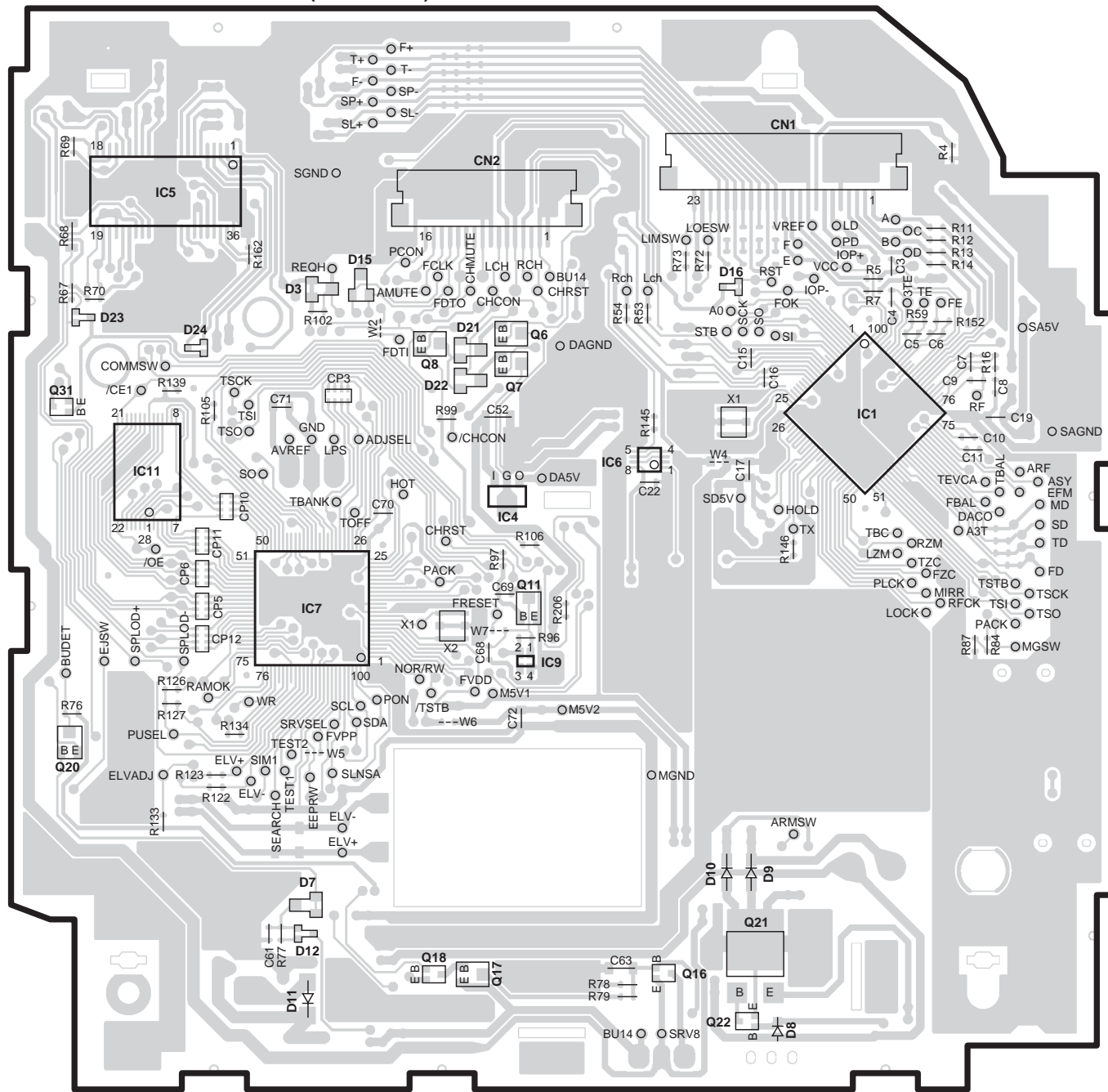
(After Adj.)

Adjusted to be min level point

Fig. (a)

PC BOARD (COMPONENT SIDE VIEW)

CD PLAYER UNIT X32-5470-01 (J74-1527-01)



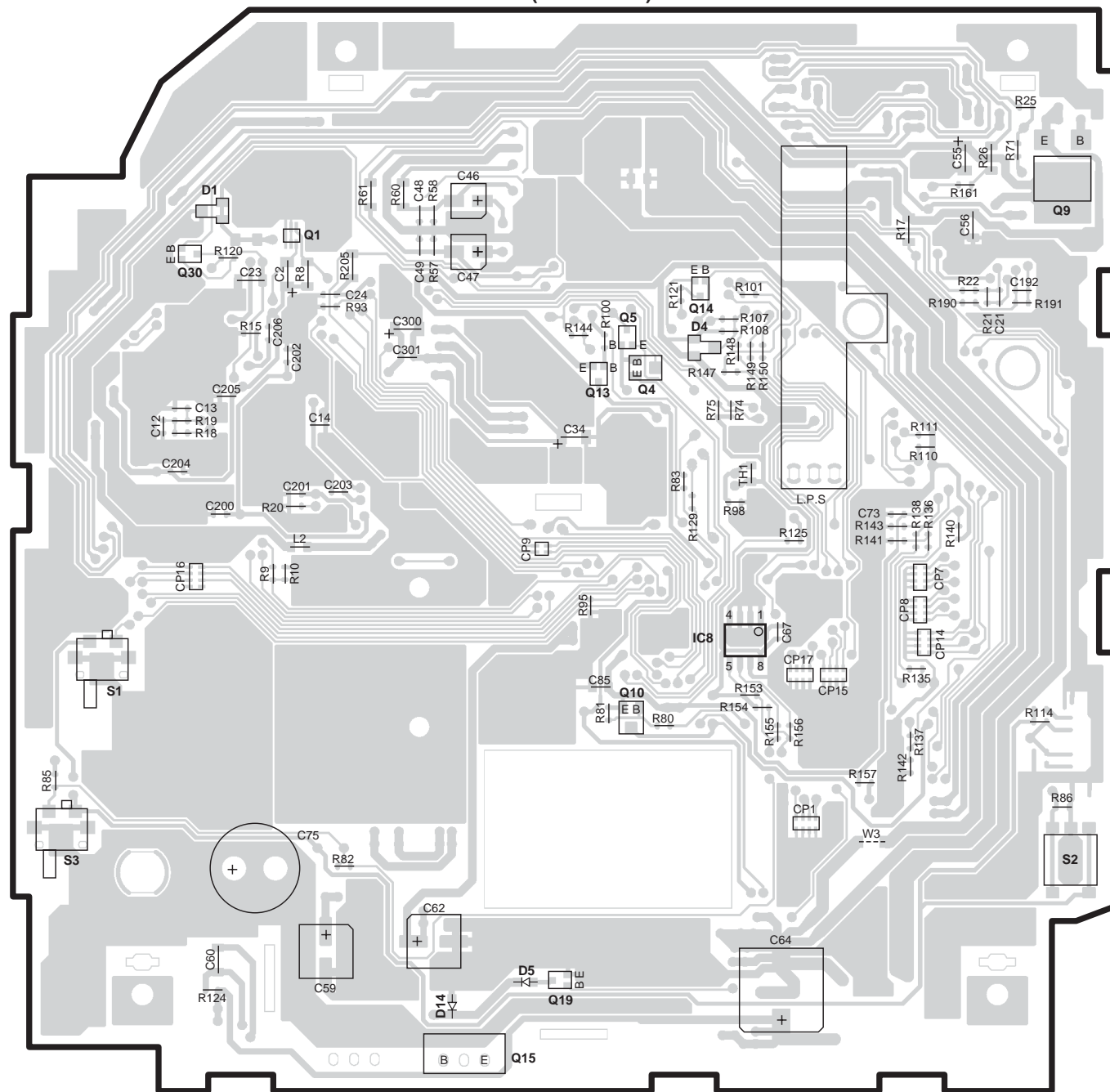
X32-5470-01

Ref. No.	Address	Ref. No.	Address
IC1	3D	Q11	4C
IC4	3C	Q16	5D
IC5	2B	Q17	5C
IC7	4B	Q18	5C
IC9	4C	Q20	4A
Q6	3C	Q21	5D
Q7	3C	Q22	5D
Q8	3C	Q31	3A

Refer to the schematic diagram for the values of resistors and capacitors.

PC BOARD (FOIL SIDE VIEW)

CD PLAYER UNIT X32-5470-01 (J74-1527-01)



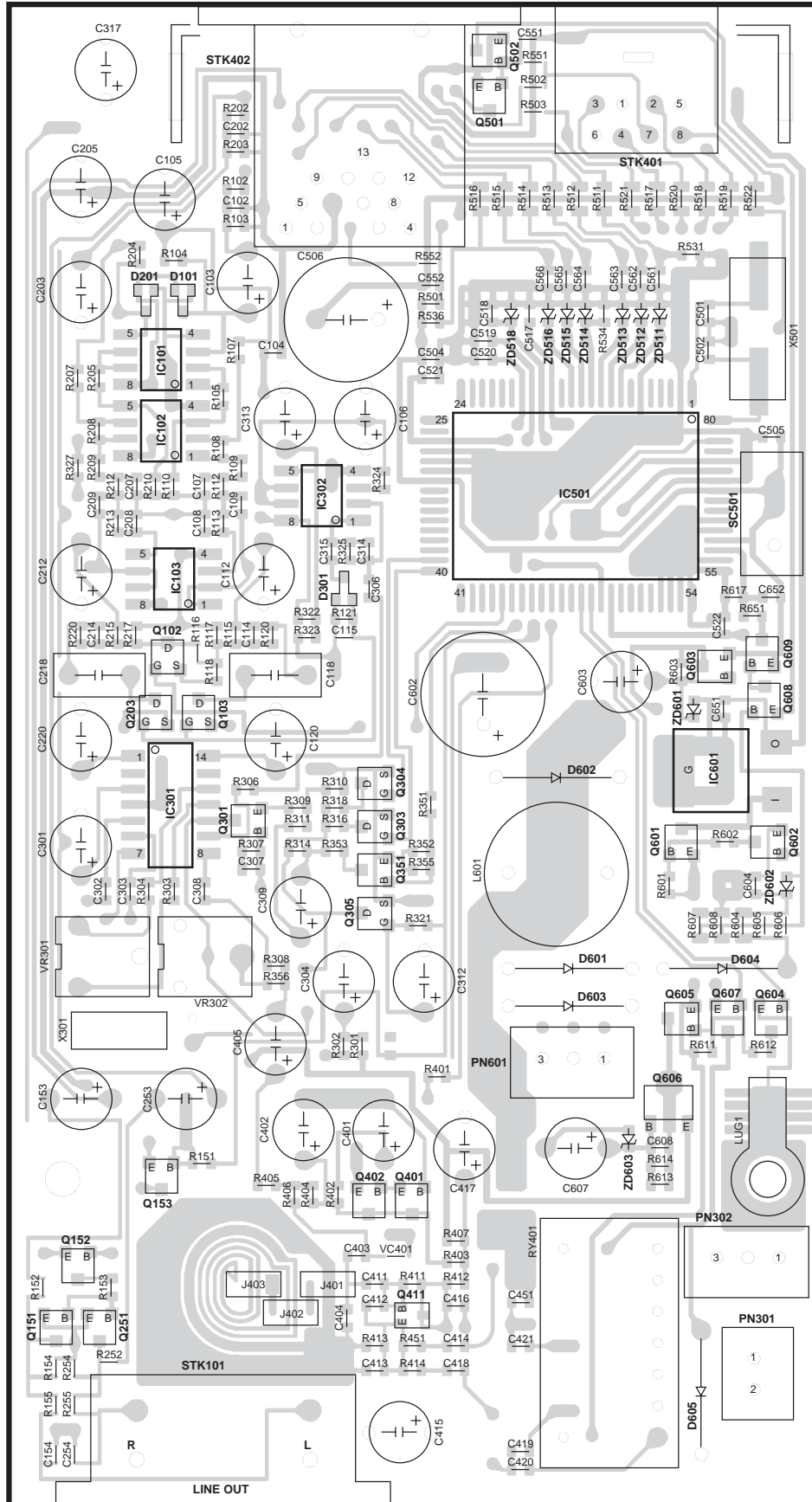
X32-5470-01

Ref. No.	Address	Ref. No.	Address
IC8	4H	Q10	4H
Q1	2G	Q13	3H
Q4	3H	Q14	3H
Q5	3H	Q19	5H
Q9	2J	Q30	2F

Refer to the schematic diagram for the values of resistors and capacitors.

PC BOARD (COMPONENT SIDE VIEW)

FM MODULATOR UNIT



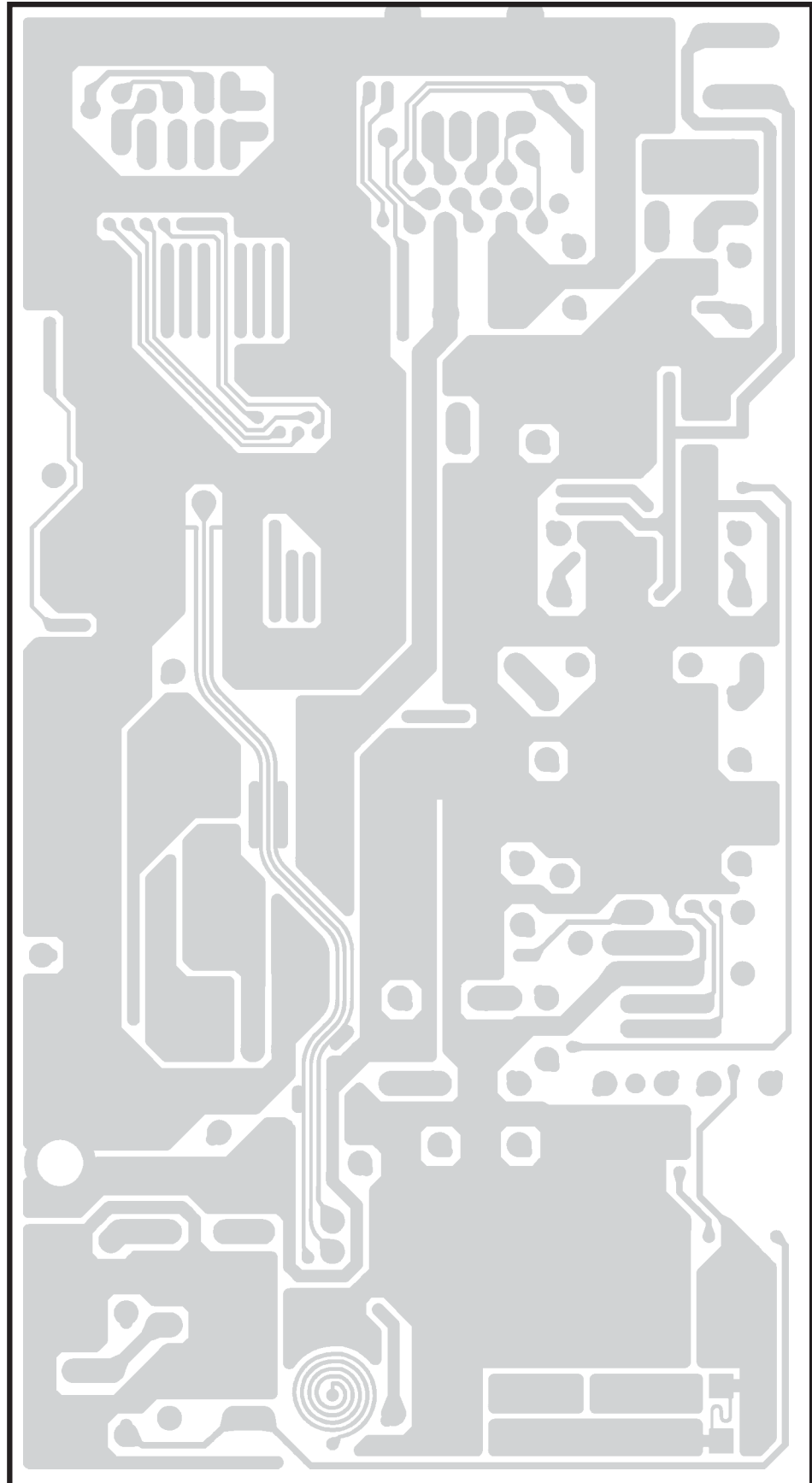
FM MODULATOR UNIT

Ref. No.	Address
IC101	3L
IC102	3L
IC103	4L
IC301	4L
IC302	3L
IC501	3M
IC601	4N
Q102	4L
Q103	4L
Q203	4L
Q301	4L
Q303	5M
Q304	4M
Q305	5L
Q351	5M
Q401	6M
Q402	6M
Q411	6M
Q501	2M
Q502	2M
Q601	5N
Q602	5N
Q603	4N
Q604	5N
Q605	5N
Q606	5N
Q607	5N
Q608	4N
Q609	4N

Refer to the schematic diagram for the values of resistors and capacitors.

PC BOARD (FOIL SIDE VIEW)

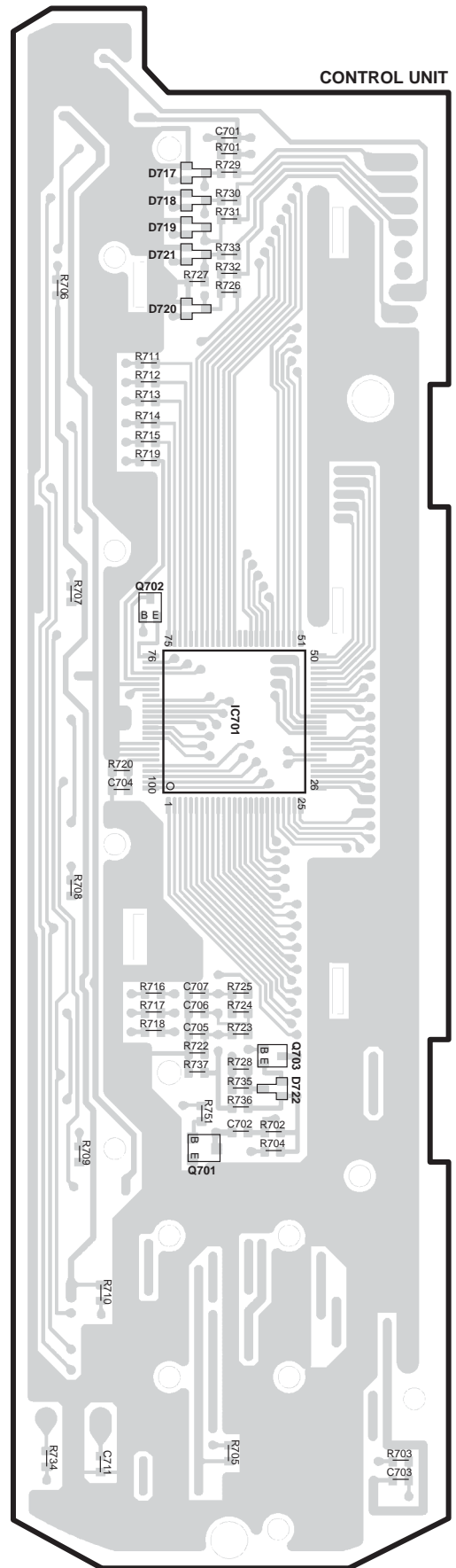
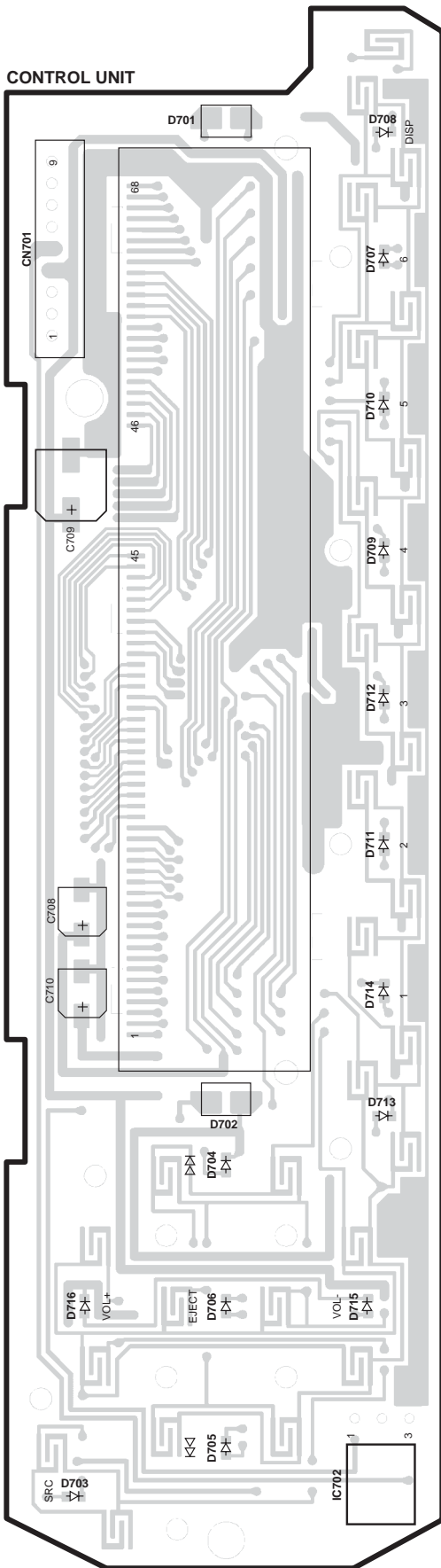
FM MODULATOR UNIT



1
2
3
4
5
6
7

PC BOARD (COMPONENT SIDE VIEW)

(FOIL SIDE VIEW)



CONTROL UNIT

Ref. No.	Address
IC702	7V

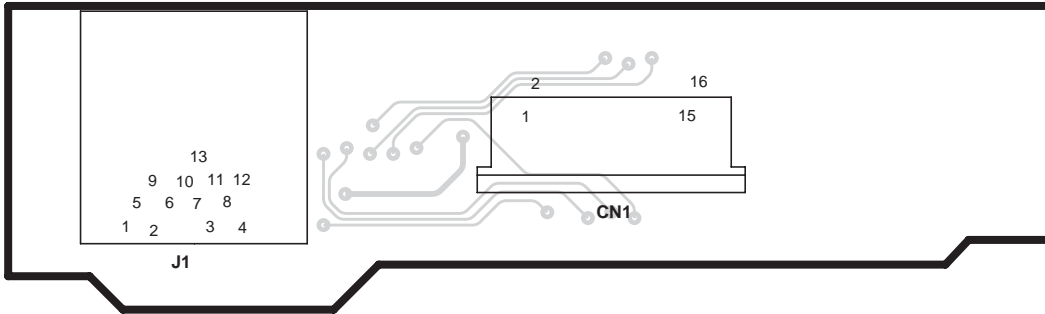
CONTROL UNIT

Ref. No.	Address
IC701	4Y
Q701	6Y
Q702	3X
Q703	5Y

Refer to the schematic diagram for the values of resistors and capacitors.

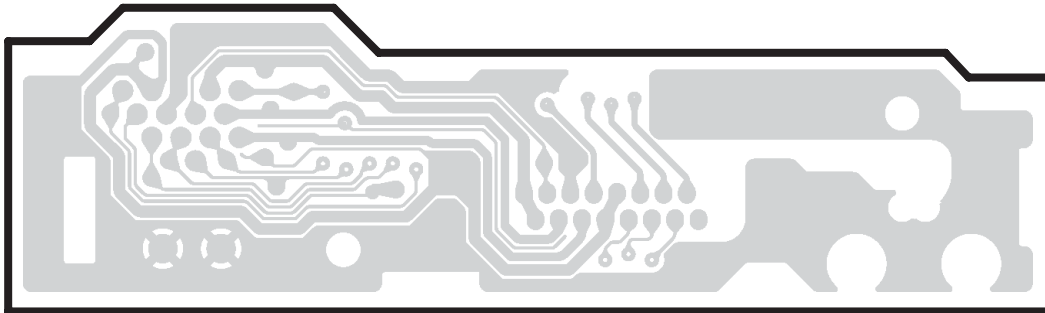
PC BOARD (COMPONENT SIDE VIEW)

SUB-CIRCUIT UNIT X13-9840-00 (J74-1100-02)



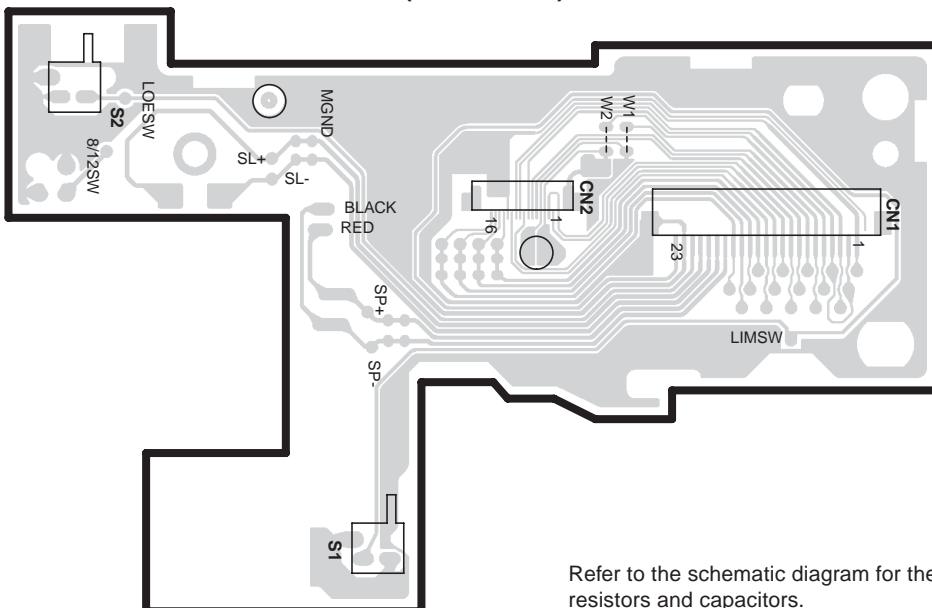
(FOIL SIDE VIEW)

SUB-CIRCUIT UNIT X13-9840-00 (J74-1100-02)



(COMPONENT SIDE VIEW)

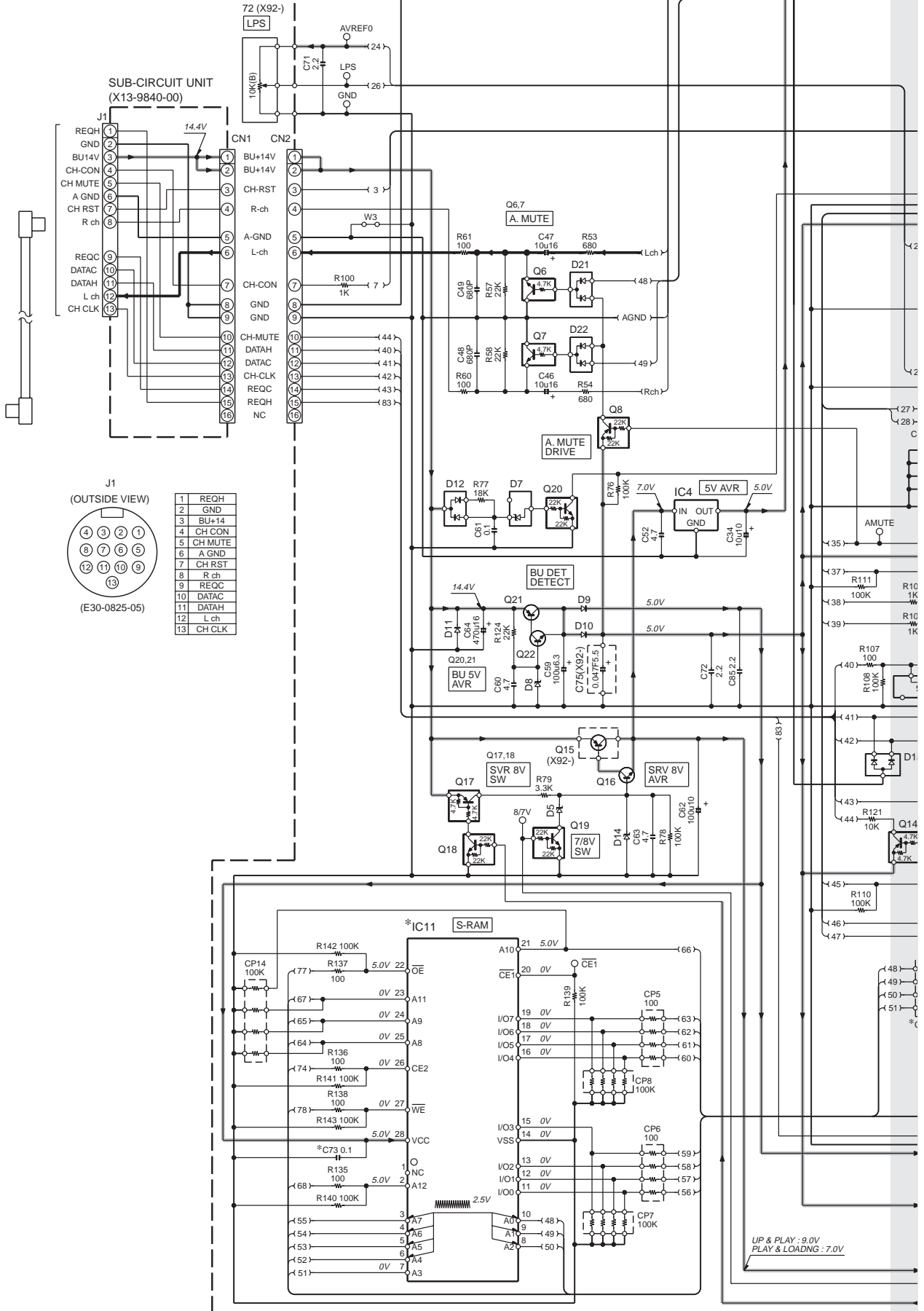
SUB-CIRCUIT UNIT X16-1010-00 (J74-1153-01)



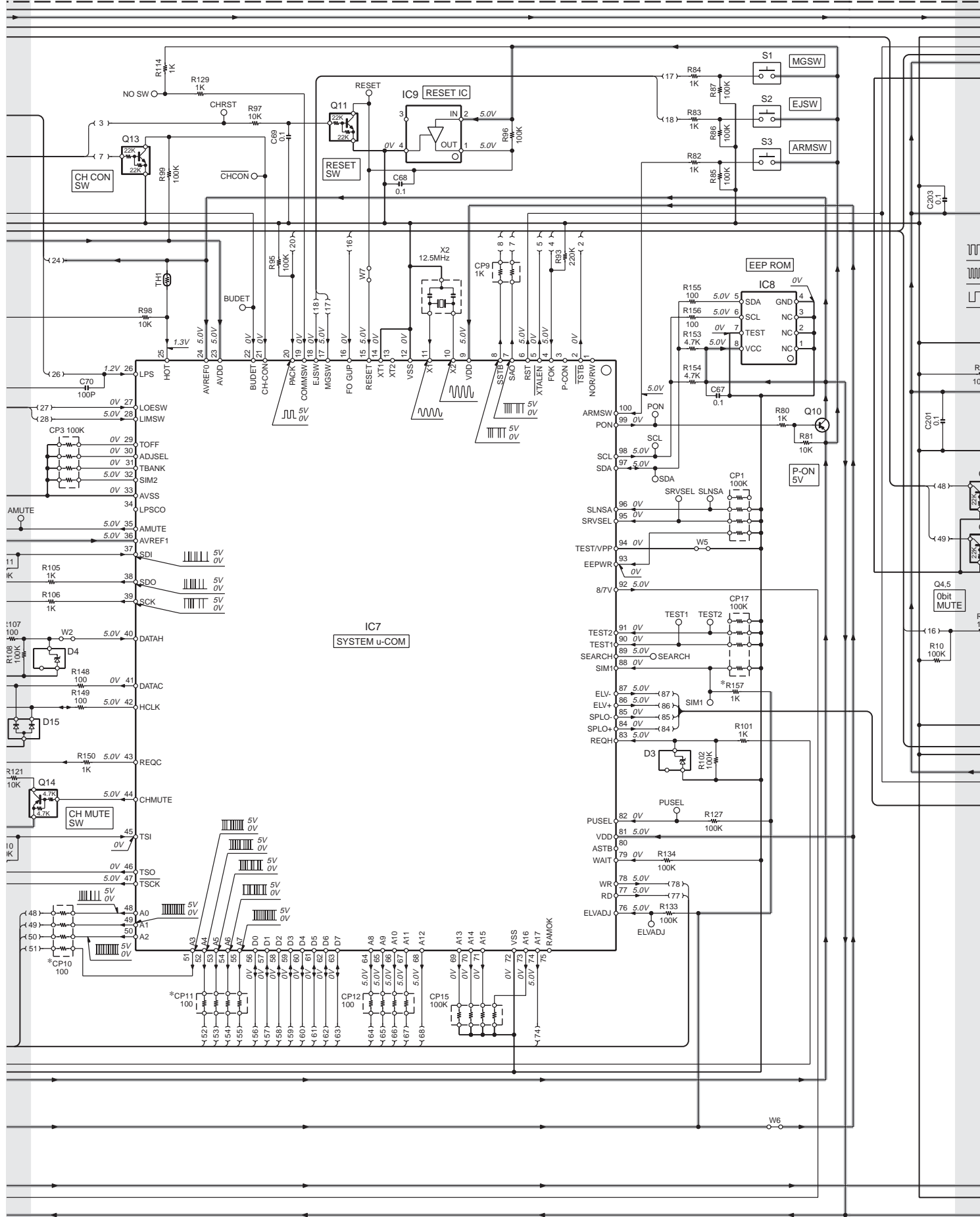
Refer to the schematic diagram for the values of resistors and capacitors.

KDC-C471FM/C521FM

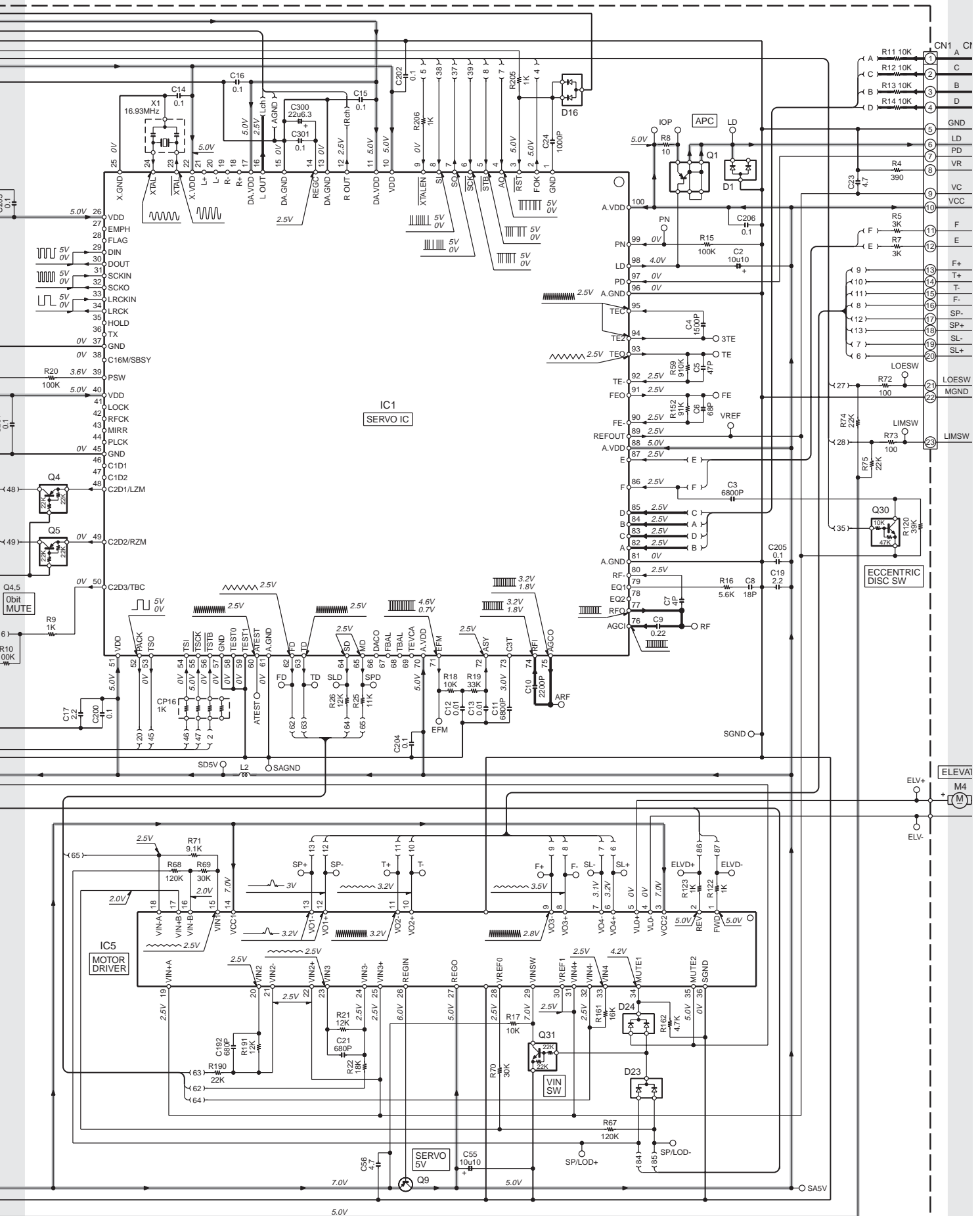
CD PLAYER UNIT (X32-5470-0x)



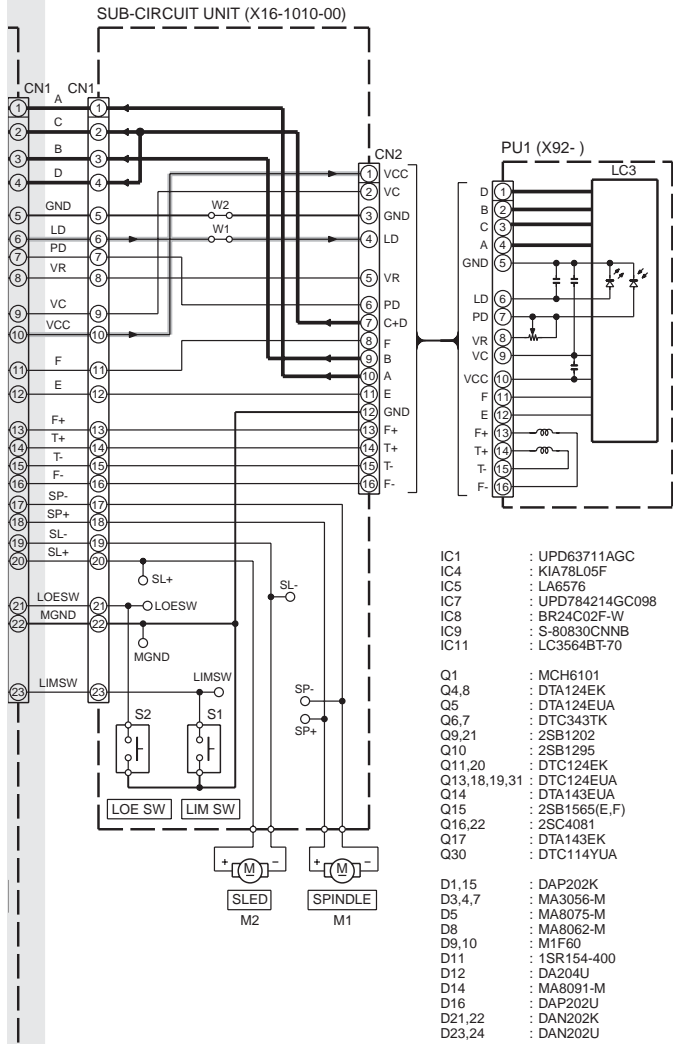
KDC-C471FM/C521FM



KDC-C471FM/C521FM



KDC-C471FM/C521FM



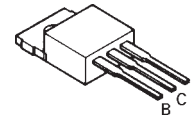
MODEL NAME	UNIT No.	UNIT No.	C73	CP10	CP11	IC11	R157
KDC-C520(J)	X92-4760-00	X32-5470-00	YES	YES	YES	YES	NO
KDC-C520FM(J)	X92-4760-01	X32-5470-01	NO	NO	NO	NO	YES
KDC-C719(K,M,E) KDC-C719Y(E2)	X92-4760-00	X32-5470-00	YES	YES	YES	YES	NO
KDC-C519FM(K,M) KDC-C521FM(K,M)	X92-4760-01	X32-5470-01	NO	NO	NO	NO	YES
KDC-C669(K,M,E) KDC-C669Y(E2)	X92-4770-00	X32-5470-00	YES	YES	YES	YES	NO
KDC-C469(J,K,E) KDC-C469Y(E2)	X92-4770-02						
KDC-C469FM(K,E) KDC-C469FMA(E)	X92-4770-01	X32-5470-01	NO	NO	NO	NO	YES
KDC-C471FM(K,E)							

— SIGNAL LINE
 — GND LINE
 — +B LINE

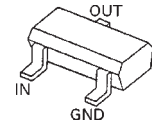
ELEVATOR



2SB1565



DTA124EUA
 DTA143EUA
 DTC124EUA



DTA124EK
 DTA143EK
 DTC114YUA
 DTC124EK
 DTC343TK
 KRC103S
 2SB1295



DAN202K
 DAN202U



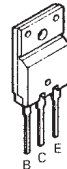
2SB1202



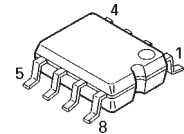
DAP202K
 DAP202U
 DA204U



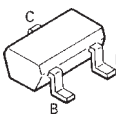
2SB1548



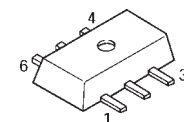
BR24C02F-W



2SC4081



MCH6101



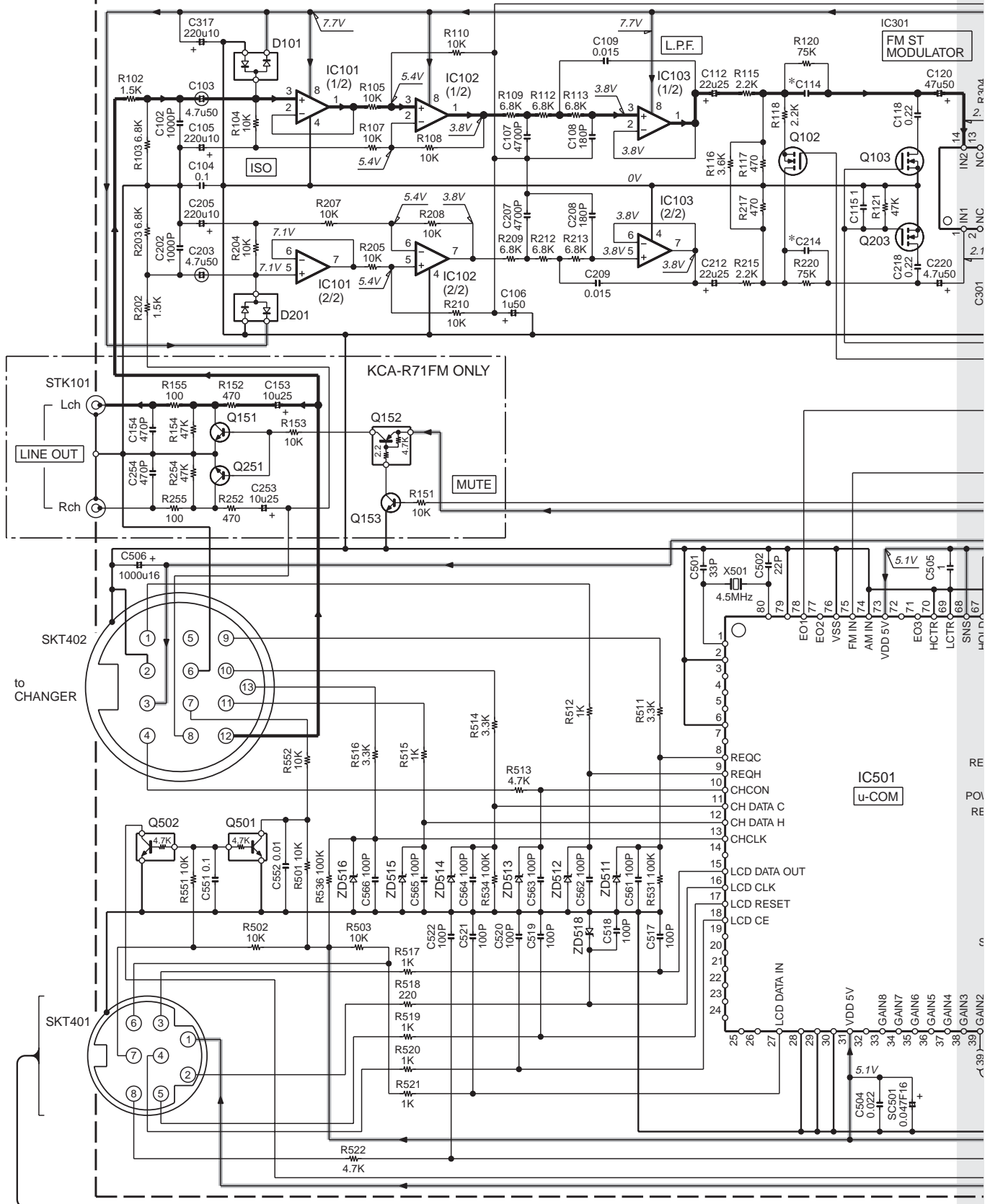
CAUTION : For continued safety, replace safety critical components only with manufacturer's recommended parts (refer to parts list).

⚠ Indicates safety critical components. To reduce the risk of electric shock, leakage-current or resistance measurements shall be carried out (exposed parts are acceptably insulated from the supply circuit) before the appliance is returned to the customer.

- DC voltages are as measured with a high impedance voltmeter. Values may vary slightly due to variations between individual instruments or/and units.

KDC-C471FM/C521FM

FM MODULATOR UNIT

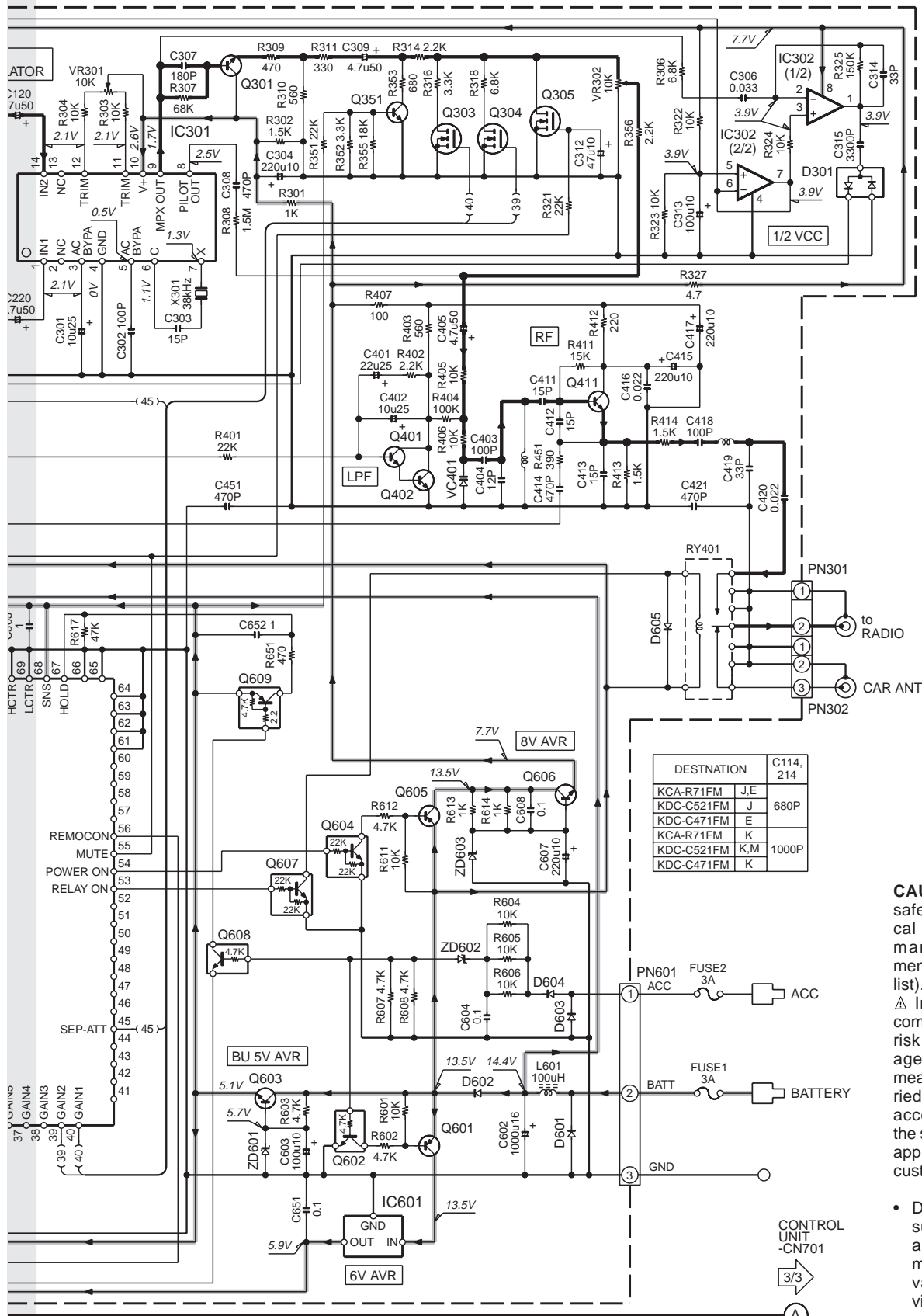


IC101-103,302 : CO5532A
 IC301 : NUM2035M
 IC501 : LC72366
 IC601 : KIA7806AF

Q102,103,203,303-305 : KTK5134S
 Q151,153,251,301,351,603 : KTC3875S-Y
 Q152,609 : KRA105S
 Q401,402 : KTC3879S-Y
 Q411 : KTC4080-O
 Q501,502,602,608 : KRC110S
 Q601,605 : KTA1505S-Y
 Q604,607 : KRC103S
 Q606 : KTC4374-Y

D101,201,301 : KDS122
 D601-605 : 1N4004A
 VC401 : KDV1472
 ZD511-516,518,601,602 : KDZ5.6EV
 ZD603 : KDZ8.2EV

KDC-C471FM/C521FM



KDC-C471FM/C521FM (2/3)

- SIGNAL LINE
- GND LINE
- +B LINE

KDC-C471FM/C521FM

CAUTION : For continued safety, replace safety critical components only with manufacturer's recommended parts (refer to parts list).

⚠ Indicates safety critical components. To reduce the risk of electric shock, leakage-current or resistance measurements shall be carried out (exposed parts are acceptably insulated from the supply circuit) before the appliance is returned to the customer.

- DC voltages are as measured with a high impedance voltmeter. Values may vary slightly due to variations between individual instruments or/and units.

D701,702 : B30-1698-05
 D703 : B30-1564-05
 D704-716 : *
 D717-722 : KDS122

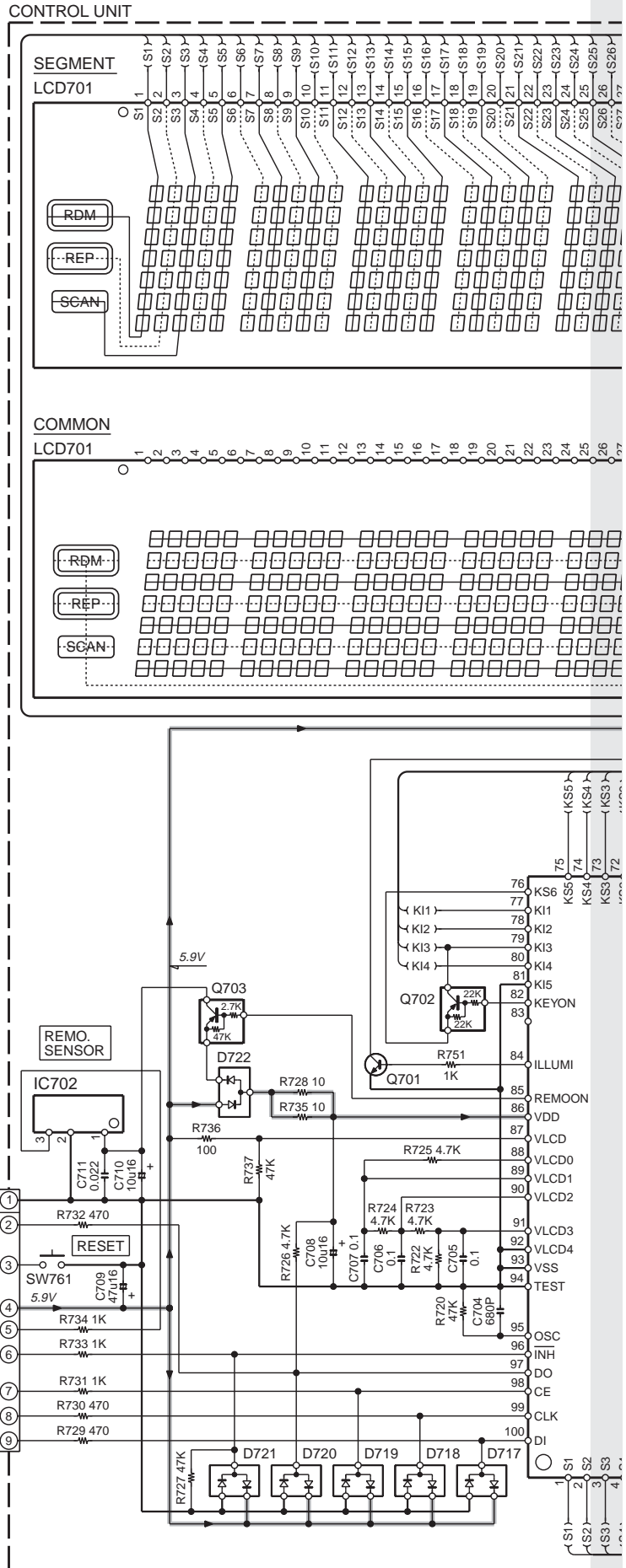
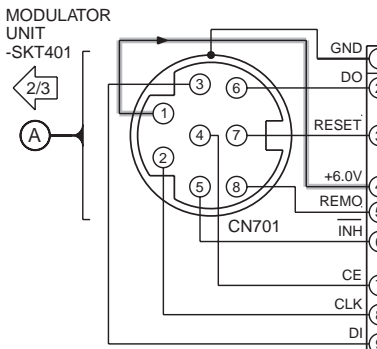
Q701 : KTC3875S
 Q702 : KRA303
 Q703 : KRA305

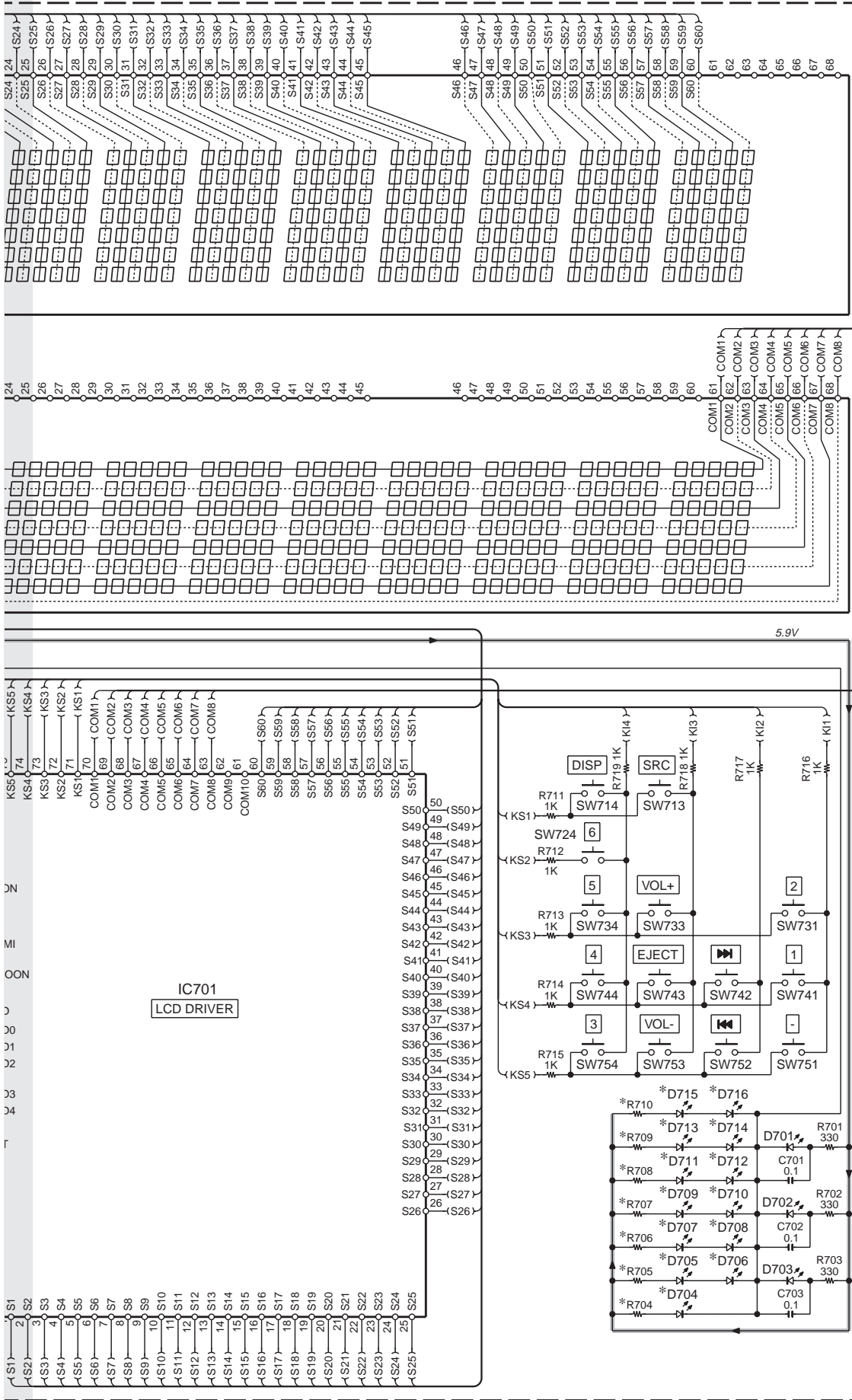
IC701 : LC75808W
 IC702 : NJL67H380A

DESTINATION	R704	R705-710	D704-716
KCA-R71FM J	330	150	B30-1690-05
KDC-C521FM J			
KCA-R71FM K,E	390	220	B30-1567-05
KDC-C521FM K,M			
KDC-C471FM K,E			

— GND LINE
 = +B LINE

MODULATOR UNIT -SKT401



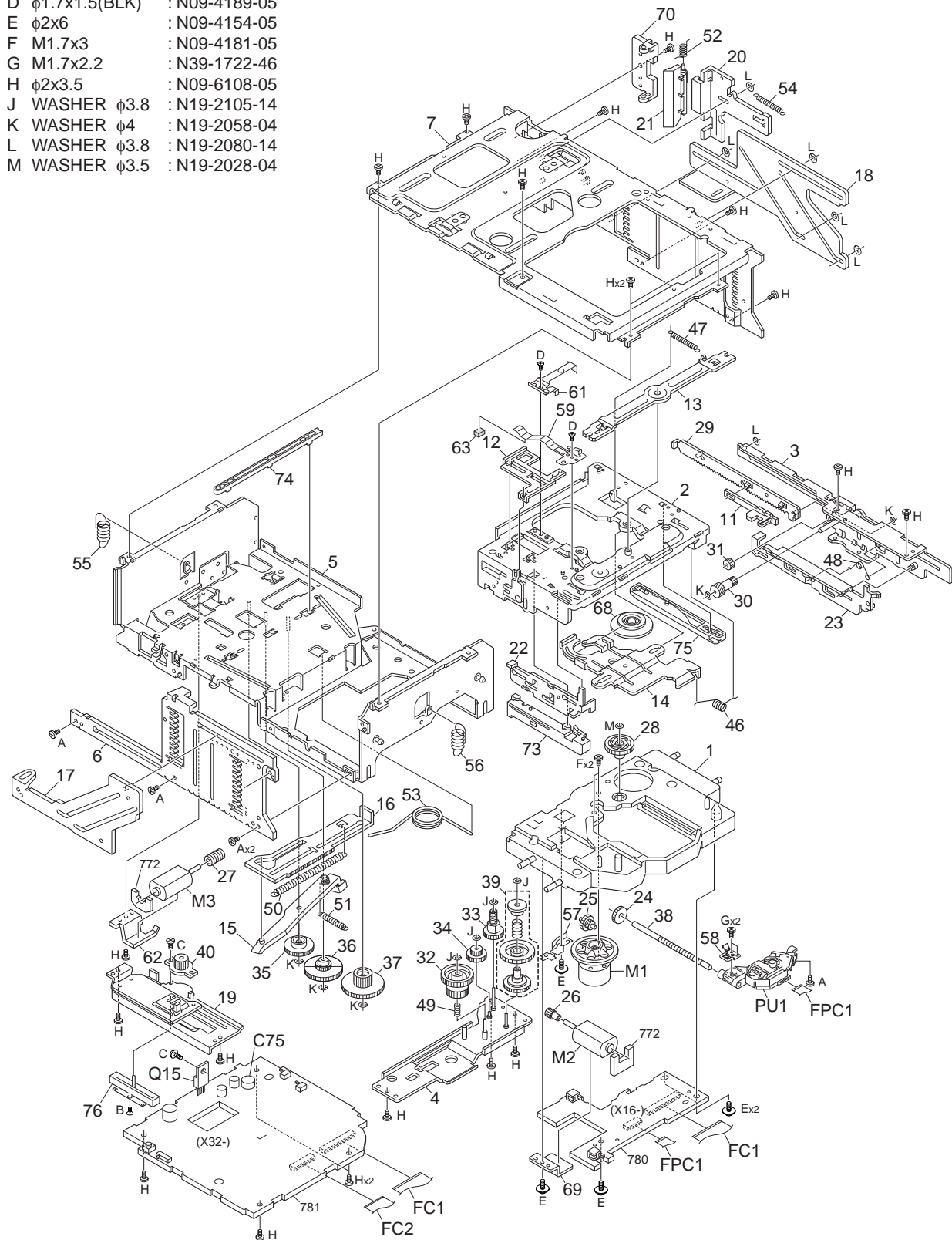


KDC-C471FM/C521FM (3/3)

KDC-C471FM/C521FM

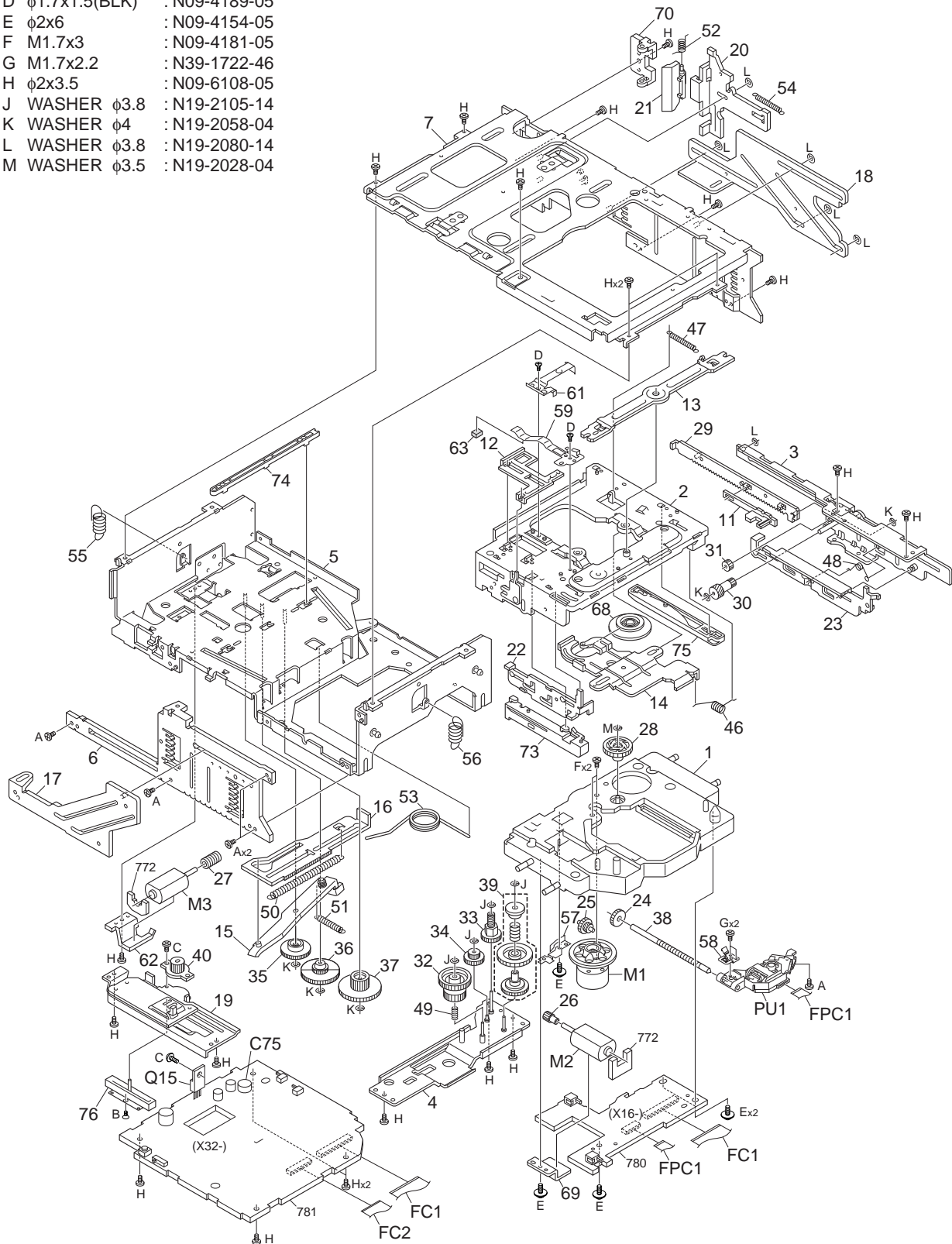
EXPLODED VIEW (KDC-C521FM MECHANISM)

- | | | |
|---|---------------|---------------|
| A | φ2x3.5 | : N09-4126-05 |
| B | φ2x2.5(BLK) | : N09-4288-05 |
| C | φ2x5 | : N86-2005-46 |
| D | φ1.7x1.5(BLK) | : N09-4189-05 |
| E | φ2x6 | : N09-4154-05 |
| F | M1.7x3 | : N09-4181-05 |
| G | M1.7x2.2 | : N39-1722-46 |
| H | φ2x3.5 | : N09-6108-05 |
| J | WASHER φ3.8 | : N19-2105-14 |
| K | WASHER φ4 | : N19-2058-04 |
| L | WASHER φ3.8 | : N19-2080-14 |
| M | WASHER φ3.5 | : N19-2028-04 |

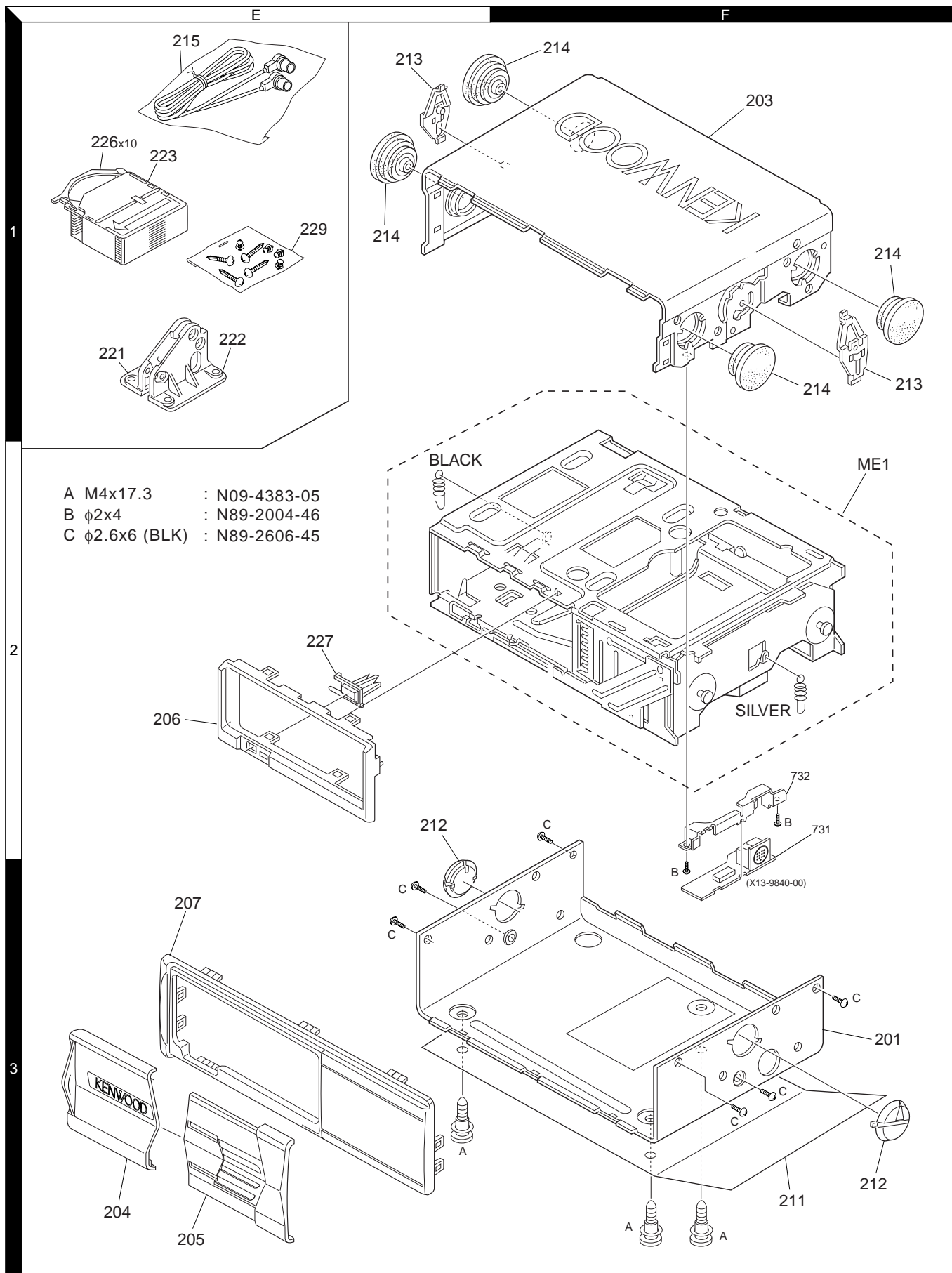


EXPLODED VIEW (KDC-C471FM MECHANISM)

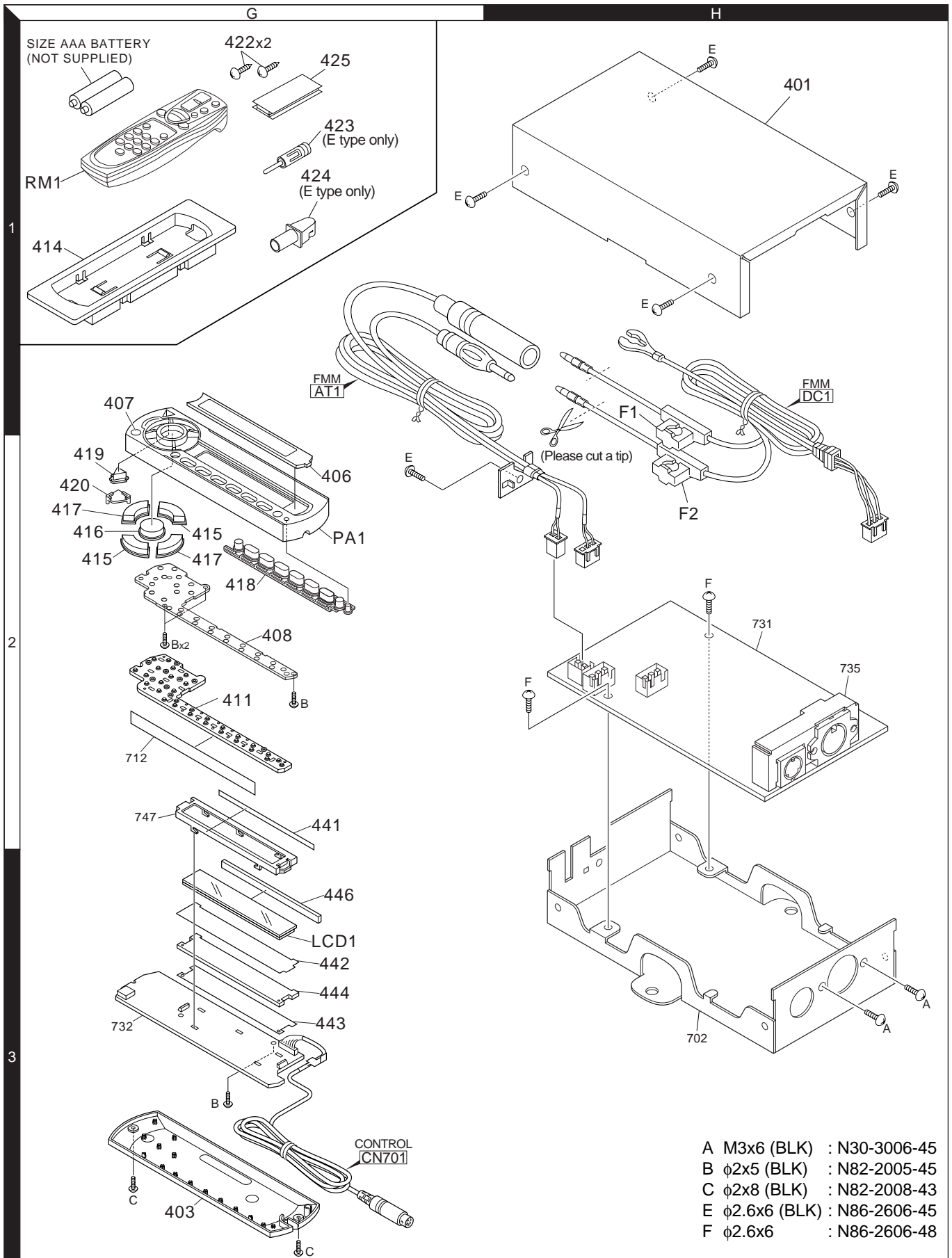
A	φ2x3.5	: N09-4126-05
B	φ2x2.5(BLK)	: N09-4288-05
C	φ2x5	: N86-2005-46
D	φ1.7x1.5(BLK)	: N09-4189-05
E	φ2x6	: N09-4154-05
F	M1.7x3	: N09-4181-05
G	M1.7x2.2	: N39-1722-46
H	φ2x3.5	: N09-6108-05
J	WASHER φ3.8	: N19-2105-14
K	WASHER φ4	: N19-2058-04
L	WASHER φ3.8	: N19-2080-14
M	WASHER φ3.5	: N19-2028-04



EXPLODED VIEW (UNIT)



EXPLODED VIEW (FM MODULATOR, CONTROL UNIT)



- A M3x6 (BLK) : N30-3006-45
- B ϕ 2x5 (BLK) : N82-2005-45
- C ϕ 2x8 (BLK) : N82-2008-43
- E ϕ 2.6x6 (BLK) : N86-2606-45
- F ϕ 2.6x6 : N86-2606-48

Parts with the exploded numbers larger than 700 are not supplied.

PARTS LIST

* New parts

Parts without **Parts No.** are not supplied.

Les articles non mentionnés dans le **Parts No.** ne sont pas fournis.

Teile ohne **Parts No.** werden nicht geliefert.

Ref. No.	A d d	N e w	Parts No.	Description	Desti- nation
KDC-C471FM/C521FM					
201	3F		A10-4735-01	CHASSIS	M1
201	3F		A10-4736-01	CHASSIS	E1
201	3F		A10-4837-01	CHASSIS	K
201	3F		A10-4838-01	CHASSIS	K1
201	3F		A10-4875-01	CHASSIS	K1
201	3F		A10-4876-01	CHASSIS	K
203	1F		A01-2726-11	METALLIC CABINET	M1
203	1F		A01-2727-11	METALLIC CABINET	E1
203	1F		A01-2744-11	METALLIC CABINET	K
203	1F		A01-2745-11	METALLIC CABINET	K1
203	1F		A01-2767-01	METALLIC CABINET	K1
203	1F	*	A01-2768-01	METALLIC CABINET	K
204	3E		A21-3530-12	DRESSING PANEL	E1
204	3E		A21-4047-12	DRESSING PANEL	M1
204	3E		A21-4080-02	DRESSING PANEL	K
204	3E		A21-4082-02	DRESSING PANEL	K1
205	3E		A21-3532-12	DRESSING PANEL	E1
205	3E		A21-4048-12	DRESSING PANEL	M1
205	3E		A21-4081-02	DRESSING PANEL	K
205	3E		A21-4083-02	DRESSING PANEL	K1
206	2E	*	A22-2997-02	SUB PANEL	K1M1
206	2E	*	A22-3001-02	SUB PANEL	KE1
207	3E	*	A64-3355-01	PANEL	K
207	3E	*	A64-3356-01	PANEL	E1
207	3E	*	A64-3359-01	PANEL	M1
207	3E	*	A64-3360-01	PANEL	K1
-			B46-0100-50	WARRANTY CARD	
-			B46-0182-14	ID CARD	E1
-			B58-1236-04	CAUTION CARD	
-			B58-1411-04	CAUTION CARD	E1
-		*	B64-2786-00	INST.MANUAL (GER.DUT.ITA.POR.)	E1
-		*	B64-2788-00	INSTRUCT.MANUAL (ENG.FRE.SPA.)	KE1K1
-		*	B64-2789-00	INSTRUCTION MANUAL (ENG.F.CHL.)	M1
-		*	B64-2790-00	INSTRUCTION MANUAL (ARABIC)	M1
211	3F		B58-1275-04	CAUTION CARD	
212	3F		D10-4515-03	ARM	
213	1E		D10-4516-04	LEVER	
214	1E		D39-0242-05	DAMPER	
215	1E		E30-4711-05	CORD WITH PLUG	
-			H02-0827-03	INNER CARTON CASE	K1M1
-			H02-0828-03	INNER CARTON CASE	KE1
-			H10-4729-02	POLYSTYRENE FOAMED FIXTURE	K1M1
-			H10-4730-02	POLYSTYRENE FOAMED FIXTURE	KE1
-			H13-1706-04	CARTON BOARD	K1M1
-			H25-0337-04	PROTECTION BAG (180X300X0.03)	
-			H25-1111-04	PROTECTION BAG (280X450X0.03)	E1M1
-			H25-1115-04	PROTECTION BAG	KK1
-		*	H54-3144-04	ITEM CARTON CASE	KE1
-		*	H54-3145-04	ITEM CARTON CASE	K1
-		*	H54-3146-04	ITEM CARTON CASE	M1

Ref. No.	A d d	N e w	Parts No.	Description	Desti- nation
221	1E		J19-5018-03	BRACKET	K1M1
221	1E		J19-5020-03	BRACKET	KE1
222	1E		J19-5019-03	BRACKET	K1M1
222	1E		J19-5021-03	BRACKET	KE1
223	1E		J19-5146-02	HOLDER ASSY	K1M1
223	1E		J19-5149-02	HOLDER ASSY	KE1
226	1E		J99-0614-01	TRAY	
227	2E		K24-4055-04	KNOB (EJECT)	
229	1E		N99-1645-15	SCREW SET	
A	3F		N09-4383-05	STEPPED SCREW	
B	2F		N89-2004-46	BINDING HEAD TAPTITE SCREW	
C	3F		N89-2606-45	BINDING HEAD TAPTITE SCREW	
ME1	2F		X92-4760-01	CD-CH MECHANISM ASSY (10-DISC)	K1M1
ME1	2F		X92-4770-01	CD-CH MECHANISM ASSY (6-DISC)	KE1
SUB-CIRCUIT UNIT (X13-9840-00)					
CN1			E40-9555-05	FLAT CABLE CONNECTOR	
J1			E56-0825-05	CYLINDRICAL RECEPTACLE	
SUB-CIRCUIT UNIT (X16-1010-00)					
CN1			E40-9487-05	FLAT CABLE CONNECTOR	
CN2			E40-9536-05	FLAT CABLE CONNECTOR	
W1,2			R92-2053-05	CHIP R 0 J 1/8W	
S1,2			S74-0811-05	MICRO SWITCH	
CD PLAYER UNIT (X32-5470-01)					
C2			C92-0628-05	CHIP-TAN 10UF 10WV	
C3			CK73GB1H682K	CHIP C 6800PF K	
C4			CK73GB1H152K	CHIP C 1500PF K	
C5			CC73GCH1H470J	CHIP C 47PF J	
C6			CC73GCH1H680J	CHIP C 68PF J	
C7			CC73GCH1H040C	CHIP C 4.0PF C	
C8			CC73GCH1H180J	CHIP C 18PF J	
C9			CK73GB1A224K	CHIP C 0.22UF K	
C10			CK73GB1H222K	CHIP C 2200PF K	
C11			CK73GB1H682K	CHIP C 6800PF K	
C12,13			CK73GB1H103K	CHIP C 0.010UF K	
C14-16			CK73GB1C104K	CHIP C 0.10UF K	
C17			CK73FB1A225K	CHIP C 2.2UF K	
C19			CK73FB1A225K	CHIP C 2.2UF K	
C21			CK73GB1H681K	CHIP C 680PF K	
C23			CK73EB1A475K	CHIP C 4.7UF K	
C24			CK73GB1H102K	CHIP C 1000PF K	
C34			C92-0628-05	CHIP-TAN 10UF 10WV	
C46,47			C92-1393-05	ELECTRO 10UF 16WV	
C48,49			CK73GB1H681K	CHIP C 680PF K	
C52			CK73EB1A475K	CHIP C 4.7UF K	
C55			C92-0628-05	CHIP-TAN 10UF 10WV	
C56			CK73EB1A475K	CHIP C 4.7UF K	
C59			C92-1390-05	ELECTRO 100UF 6.3WV	
C60			CK73EB1A475K	CHIP C 4.7UF K	
C61			CK73GB1C104K	CHIP C 0.10UF K	
C62			C92-1392-05	ELECTRO 100UF 10WV	
C63			CK73EB1A475K	CHIP C 4.7UF K	

E1 : KDC-C471FM K : KDC-C471FM K1 : KDC-C521FM M1 : KDC-C521FM

(E : Europe K : North America M : Other Areas)

△ Indicates safety critical components.

PARTS LIST

* New parts

Parts without **Parts No.** are not supplied.

Les articles non mentionnés dans le **Parts No.** ne sont pas fournis.

Teile ohne **Parts No.** werden nicht geliefert.

CD PLAYER UNIT (X32-5470-01)

Ref. No.	Add	New	Parts No.	Description	Destination	Ref. No.	Add	New	Parts No.	Description	Destination
C64			C92-1388-05	ELECTRO 470UF 16WV		R80			RK73GB2A102J	CHIP R 1.0K J 1/10W	
C67-69			CK73GB1C104K	CHIP C 0.10UF K		R81			RK73GB2A103J	CHIP R 10K J 1/10W	
C70			CC73GCH1H101J	CHIP C 100PF J		R82-84			RK73GB2A102J	CHIP R 1.0K J 1/10W	
C71,72			CK73FB1A225K	CHIP C 2.2UF K		R85-87			RK73GB2A104J	CHIP R 100K J 1/10W	
C85			CK73FB1A225K	CHIP C 2.2UF K		R93			RK73GB2A224J	CHIP R 220K J 1/10W	
C192			CK73GB1H681K	CHIP C 680PF K		R95,96			RK73GB2A104J	CHIP R 100K J 1/10W	
C200-206			CK73GB1C104K	CHIP C 0.10UF K		R97,98			RK73GB2A103J	CHIP R 10K J 1/10W	
C300			C92-0712-05	CHIP-TAN 22UF 6.3WV		R99			RK73GB2A104J	CHIP R 100K J 1/10W	
C301			CK73GB1C104K	CHIP C 0.10UF K		R100,101			RK73GB2A102J	CHIP R 1.0K J 1/10W	
CN1			E40-9338-05	FLAT CABLE CONNECTOR		R102			RK73GB2A104J	CHIP R 100K J 1/10W	
CN2			E40-9404-05	FLAT CABLE CONNECTOR		R105,106			RK73GB2A102J	CHIP R 1.0K J 1/10W	
L2			L92-0322-05	CHIP FERRITE		R107			RK73GB2A101J	CHIP R 100 J 1/10W	
X1			L78-0596-05	RESONATOR		R108			RK73GB2A104J	CHIP R 100K J 1/10W	
X2			L78-0568-05	RESONATOR		R110,111			RK73GB2A104J	CHIP R 100K J 1/10W	
CP1			R90-0720-05	MULTI-COMP 100K X4		R114			RK73GB2A103J	CHIP R 10K J 1/10W	
CP3			R90-0720-05	MULTI-COMP 100K X4		R120			RK73GB2A393J	CHIP R 39K J 1/10W	
CP5,6			R90-1014-05	MULTI-COMP 100 X4		R121			RK73GB2A103J	CHIP R 10K J 1/10W	
CP7,8			R90-0720-05	MULTI-COMP 100K X4		R122,123			RK73GB2A102J	CHIP R 1.0K J 1/10W	
CP9			R90-0725-05	MULTI-COMP 1K X2		R124			RK73GB2A223J	CHIP R 22K J 1/10W	
CP12			R90-1014-05	MULTI-COMP 100 X4		R127			RK73GB2A104J	CHIP R 100K J 1/10W	
CP14,15			R90-0720-05	MULTI-COMP 100K X4		R129			RK73GB2A102J	CHIP R 1.0K J 1/10W	
CP16			R90-0724-05	MULTI-COMP 1K X4		R133,134			RK73GB2A104J	CHIP R 100K J 1/10W	
CP17			R90-0720-05	MULTI-COMP 100K X4		R135-138			RK73GB2A101J	CHIP R 100 J 1/10W	
R4			RK73GB2A391J	CHIP R 390 J 1/10W		R139-143			RK73GB2A104J	CHIP R 100K J 1/10W	
R5			RK73GB2A302J	CHIP R 3.0K J 1/10W		R148,149			RK73GB2A101J	CHIP R 100 J 1/10W	
R7			RK73GB2A302J	CHIP R 3.0K J 1/10W		R150			RK73GB2A102J	CHIP R 1.0K J 1/10W	
R8			RK73EB2E100J	CHIP R 10 J 1/4W		R152			RK73GB2A913J	CHIP R 91K J 1/10W	
R9			RK73GB2A102J	CHIP R 1.0K J 1/10W		R153,154			RK73GB2A472J	CHIP R 4.7K J 1/10W	
R10			RK73GB2A104J	CHIP R 100K J 1/10W		R155,156			RK73GB2A101J	CHIP R 100 J 1/10W	
R11-14			RK73GB2A103J	CHIP R 10K J 1/10W		R157			RK73GB2A102J	CHIP R 1.0K J 1/10W	
R15			RK73GB2A104J	CHIP R 100K J 1/10W		R161			RK73GB2A163J	CHIP R 16K J 1/10W	
R16			RK73GB2A562J	CHIP R 5.6K J 1/10W		R162			RK73GB2A472J	CHIP R 4.7K J 1/10W	
R17			RK73EB2E103J	CHIP R 10K J 1/4W		R190			RK73GB2A223J	CHIP R 22K J 1/10W	
R18			RK73GB2A103J	CHIP R 10K J 1/10W		R191			RK73GB2A123J	CHIP R 12K J 1/10W	
R19			RK73GB2A333J	CHIP R 33K J 1/10W		R205			RK73EB2E102J	CHIP R 1.0K J 1/4W	
R20			RK73GB2A104J	CHIP R 100K J 1/10W		R206			RK73GB2A102J	CHIP R 1.0K J 1/10W	
R21			RK73GB2A123J	CHIP R 12K J 1/10W		W2			R92-1252-05	CHIP R 0 OHM J 1/16W	
R22			RK73GB2A183J	CHIP R 18K J 1/10W		W3			R92-2053-05	CHIP R 0 J 1/8W	
R25			RK73GB2A113J	CHIP R 11K J 1/10W		W5-7			R92-1252-05	CHIP R 0 OHM J 1/16W	
R26			RK73EB2E123J	CHIP R 12K J 1/4W		S1			S68-0823-05	PUSH SWITCH	
R53,54			RK73GB2A681J	CHIP R 680 J 1/10W		S2			S70-0838-05	TACT SWITCH	
R57,58			RK73GB2A223J	CHIP R 22K J 1/10W		S3			S68-0823-05	PUSH SWITCH	
R59			RK73GB2A914J	CHIP R 910K J 1/10W		D1			DAP202K	DIODE	
R60,61			RK73EB2E101J	CHIP R 100 J 1/4W		D3,4			MA3056-M	ZENER DIODE	
R67			RK73GB2A124J	CHIP R 120K J 1/10W		D5			MA8075-M	ZENER DIODE	
R68			RK73EB2E124J	CHIP R 120K J 1/4W		D7			MA3056-M	ZENER DIODE	
R69,70			RK73GB2A303J	CHIP R 30K J 1/10W		D8			MA8062-M	ZENER DIODE	
R71			RK73GB2A912J	CHIP R 9.1K J 1/10W		D9,10			M1F60	DIODE	
R72,73			RK73GB2A101J	CHIP R 100 J 1/10W		D11			1SR154-400	DIODE	
R74,75			RK73GB2A223J	CHIP R 22K J 1/10W		D12			DA204U	DIODE	
R76			RK73GB2A104J	CHIP R 100K J 1/10W		D14			MA8091-M	ZENER DIODE	
R77			RK73GB2A183J	CHIP R 18K J 1/10W		D15			DAP202K	DIODE	
R78			RK73GB2A104J	CHIP R 100K J 1/10W		D16			DAP202U	DIODE	
R79			RK73GB2A332J	CHIP R 3.3K J 1/10W		D21,22			DAN202K	DIODE	

E1 : KDC-C471FM K : KDC-C471FM K1 : KDC-C521FM M1 : KDC-C521FM
 (E : Europe K : North America M : Other Areas)

△ Indicates safety critical components.

PARTS LIST

* New parts

Parts without **Parts No.** are not supplied.

Les articles non mentionnés dans le **Parts No.** ne sont pas fournis.

Teile ohne **Parts No.** werden nicht geliefert.

CD PLAYER UNIT (X32-5470-01)

Ref. No.	A d d	N e w	Parts No.	Description	Desti- nation
D23,24			DAN202U	DIODE	
IC1			UPD63711AGC	MOS-IC	
IC4			KIA78L05F	ANALOGUE IC	
IC5			LA6576	ANALOGUE IC	
IC7			784214AGC-165	MICROCONTROLLER IC	
IC8			BR24C02F-W	ROM IC	
IC8			CAT24WC02JI	ROM IC	
IC8			M24C02-WMN6T	MEMORY IC	
IC8			S-24C02BFJA	MEMORY IC	
IC8			24LC02BT-ISN	MEMORY IC	
IC9			S-80830CNNB	MOS-IC	
Q1			MCH6101	TRANSISTOR	
Q4			DTA124EK	DIGITAL TRANSISTOR	
Q5			DTA124EUA	DIGITAL TRANSISTOR	
Q6,7			DTC343TK	DIGITAL TRANSISTOR	
Q8			DTA124EK	DIGITAL TRANSISTOR	
Q9			2SB1202	TRANSISTOR	
Q10			2SB1295	TRANSISTOR	
Q11			DTC124EK	DIGITAL TRANSISTOR	
Q13			DTC124EUA	DIGITAL TRANSISTOR	
Q14			DTA143EUA	DIGITAL TRANSISTOR	
Q16			2SC4081	TRANSISTOR	
Q17			DTA143EK	DIGITAL TRANSISTOR	
Q18,19			DTC124EUA	DIGITAL TRANSISTOR	
Q20			DTC124EK	DIGITAL TRANSISTOR	
Q21			2SB1202	TRANSISTOR	
Q22			2SC4081	TRANSISTOR	
Q30			DTC114YUA	DIGITAL TRANSISTOR	
Q31			DTC124EUA	DIGITAL TRANSISTOR	
TH1			NTH5G20B333K07	THERMISTOR	
CD-CH MECHANISM ASSY (X92-4760-01) for KDC-C521FM					
1	2B		A10-4745-13	CHASSIS ASSY	K1M1
2	2B		A10-4748-02	CHASSIS CALKING ASSY	K1M1
3	2B		A10-4751-03	CHASSIS CALKING ASSY	K1M1
4	3A		A10-4754-04	CHASSIS CALKING ASSY	K1M1
5	2A		A10-4757-12	CHASSIS CALKING ASSY	K1M1
6	2A		A10-4759-02	CHASSIS	K1M1
7	1A		A10-4760-02	CHASSIS CALKING ASSY	K1M1
11	2B		D10-4546-03	ARM	K1M1
12	2A		D10-4527-03	SLIDER	K1M1
13	2B		D10-4528-03	ARM	K1M1
14	2B		D10-4529-03	LEVER	K1M1
15	3A		D10-4531-04	LEVER ASSY	K1M1
16	2A		D10-4533-03	LEVER	K1M1
17	2A		D10-4534-04	SLIDER ASSY	K1M1
18	1B		D10-4536-13	SLIDER	K1M1
19	3A		D10-4537-04	SLIDER ASSY	K1M1
20	1B		D10-4540-13	ARM	K1M1
21	1B		D10-4547-03	LEVER	K1M1
22	2B		D12-0630-02	CAM	K1M1
23	2B		D12-0631-02	CAM	K1M1
24	3B		D13-2185-04	GEAR	K1M1
25	3B		D13-2186-04	GEAR	K1M1
26	3B		D13-2187-04	GEAR	K1M1

Ref. No.	A d d	N e w	Parts No.	Description	Desti- nation
27	3A		D13-2188-04	WORM	K1M1
28	2B		D13-2092-04	GEAR	K1M1
29	2B		D13-2093-04	GEAR ASSY	K1M1
30	2B		D13-2095-04	GEAR	K1M1
31	2B		D13-2096-04	GEAR	K1M1
32	3A		D13-2099-04	GEAR	K1M1
33	3A		D13-2100-04	GEAR	K1M1
34	3A		D13-2101-04	GEAR	K1M1
35	3A		D13-2102-04	GEAR	K1M1
36	3A		D13-2103-04	GEAR	K1M1
37	3A		D13-2104-04	GEAR	K1M1
38	3B		D19-0636-04	LEAD SCREW	K1M1
39	3A		D19-0637-04	CLUTCH ASSY	K1M1
40	3A		D39-0225-05	DAMPER	K1M1
FC1	3A		E39-0172-15	FLAT CABLE	K1M1
FC2	3A		E39-0173-25	FLAT CABLE	K1M1
46	2B		G01-3036-04	TORSION COIL SPRING	K1M1
47	1B		G01-3037-04	EXTENSION SPRING	K1M1
48	2B		G01-3038-04	TORSION COIL SPRING	K1M1
49	3A		G01-3039-04	COMPRESSION SPRING	K1M1
50	3A		G01-3040-04	EXTENSION SPRING	K1M1
51	3A		G01-3041-04	EXTENSION SPRING	K1M1
52	1B		G01-3042-04	TORSION COIL SPRING	K1M1
53	2A		G01-3043-04	TORSION COIL SPRING	K1M1
54	1B		G01-3044-04	EXTENSION SPRING	K1M1
55	2A		G01-3045-04	EXTENSION SPRING	K1M1
56	2A		G01-3046-04	EXTENSION SPRING	K1M1
57	3B		G02-1374-04	FLAT SPRING	K1M1
58	3B		G02-1375-03	FLAT SPRING	K1M1
59	2B		G02-1376-03	FLAT SPRING	K1M1
61	2B		G02-1378-14	FLAT SPRING	K1M1
62	3A		G02-1380-04	FLAT SPRING	K1M1
63	2A		G10-1045-14	FELT	K1M1
68	2B		J11-0637-03	CLAMPER	K1M1
69	3B		J21-9592-04	MOUNTING HARDWARE	K1M1
70	1B		J21-9595-03	MOUNTING HARDWARE	K1M1
73	2B		J90-0759-03	GUIDE	K1M1
74	2A		J90-0992-03	RAIL	K1M1
75	2B		J90-0990-03	GUIDE	K1M1
FPC1	3B		J84-0141-05	FLEXIBLE PRINTED WIRING BOARD	K1M1
A	2A		N09-4126-05	MACHINE SCREW (2X3.5)	K1M1
B	3A		N09-4288-05	TAPTITE SCREW (2X2.5)	K1M1
C	3A		N86-2005-46	BINDING HEAD TAPTITE SCREW	K1M1
D	2B		N09-4189-05	TAPTITE SCREW (1.7X1.5)	K1M1
E	3B		N09-4154-05	TAPTITE SCREW	K1M1
F	2B		N09-4181-05	MACHINE SCREW (M1.7X3)	K1M1
G	3B		N39-1722-46	PAN HEAD MACHINE SCREW	K1M1
H	3A		N09-6108-05	MACHINE SCREW (M2*3.5)	K1M1
J	3A		N19-2105-14	FLAT WASHER	K1M1
K	3A		N19-2058-04	FLAT WASHER	K1M1
L	1B		N19-2080-14	FLAT WASHER	K1M1
M	2B		N19-2028-04	FLAT WASHER	K1M1

E1 : KDC-C471FM K : KDC-C471FM K1 : KDC-C521FM M1 : KDC-C521FM
(E : Europe K : North America M : Other Areas)

△ Indicates safety critical components.

PARTS LIST

* New parts

Parts without **Parts No.** are not supplied.

Les articles non mentionnés dans le **Parts No.** ne sont pas fournis.

Teile ohne **Parts No.** werden nicht geliefert.

CD-CH MECHANISM ASSY (X92-4760-01) for KDC-C521FM

Ref. No.	A d d	N e w	Parts No.	Description	Desti- nation
76	3A	*	R33-0207-15	SLIDE TYPE VARIABLE RESISTOR	K1M1
M1	3B		T42-0797-04	DC MOTOR ASSY (SP)	K1M1
M2,3	3A		T42-0788-05	DC MOTOR	K1M1
Q15	3A		2SB1548(P)	TRANSISTOR	K1M1
Q15	3A		2SB1565(E,F)	TRANSISTOR	K1M1
PU1	3B		X93-2000-00	OPTICAL PICKUP ASSY	K1M1
CD-CH MECHANISM ASSY (X92-4770-01) for KDC-C471FM					
1	2D		A10-4745-13	CHASSIS ASSY	KE1
2	2D		A10-4748-02	CHASSIS CALKING ASSY	KE1
3	2D		A10-4751-03	CHASSIS CALKING ASSY	KE1
4	3C		A10-4754-04	CHASSIS CALKING ASSY	KE1
5	2C		A10-4763-02	CHASSIS CALKING ASSY	KE1
6	2C		A10-4765-02	CHASSIS	KE1
7	1C		A10-4766-02	CHASSIS CALKING ASSY	KE1
11	2D		D10-4546-03	ARM	KE1
12	2C		D10-4527-03	SLIDER	KE1
13	2D		D10-4528-03	ARM	KE1
14	2D		D10-4529-03	LEVER	KE1
15	3C		D10-4531-04	LEVER ASSY	KE1
16	2C		D10-4533-03	LEVER	KE1
17	2C		D10-4541-04	SLIDER ASSY	KE1
18	1D		D10-4543-13	SLIDER	KE1
19	3C		D10-4537-04	SLIDER ASSY	KE1
20	1D		D10-4545-13	ARM	KE1
21	1D		D10-4548-03	LEVER	KE1
22	2D		D12-0630-02	CAM	KE1
23	2D		D12-0631-02	CAM	KE1
24	3D		D13-2185-04	GEAR	KE1
25	3D		D13-2186-04	GEAR	KE1
26	3D		D13-2187-04	GEAR	KE1
27	3C		D13-2188-04	WORM	KE1
28	2D		D13-2092-04	GEAR	KE1
29	2D		D13-2093-04	GEAR ASSY	KE1
30	2D		D13-2095-04	GEAR	KE1
31	2D		D13-2096-04	GEAR	KE1
32	3C		D13-2099-04	GEAR	KE1
33	3C		D13-2100-04	GEAR	KE1
34	3C		D13-2101-04	GEAR	KE1
35	3C		D13-2102-04	GEAR	KE1
36	3C		D13-2103-04	GEAR	KE1
37	3C		D13-2104-04	GEAR	KE1
38	3D		D19-0636-04	LEAD SCREW	KE1
39	3C		D19-0637-04	CLUTCH ASSY	KE1
40	3C		D39-0225-05	DAMPER	KE1
FC1	3C		E39-0172-15	FLAT CABLE	KE1
FC2	3C		E39-0173-25	FLAT CABLE	KE1
46	2D		G01-3036-04	TORSION COIL SPRING	KE1
47	1D		G01-3037-04	EXTENSION SPRING	KE1
48	2D		G01-3038-04	TORSION COIL SPRING	KE1
49	3C		G01-3039-04	COMPRESSION SPRING	KE1
50	3C		G01-3040-04	EXTENSION SPRING	KE1

Ref. No.	A d d	N e w	Parts No.	Description	Desti- nation
51	3C		G01-3041-04	EXTENSION SPRING	KE1
52	1D		G01-3042-04	TORSION COIL SPRING	KE1
53	2C		G01-3043-04	TORSION COIL SPRING	KE1
54	1D		G01-3044-04	EXTENSION SPRING	KE1
55	2C		G01-3046-04	EXTENSION SPRING	KE1
56	2C		G01-3047-04	EXTENSION SPRING	KE1
57	3D		G02-1374-04	FLAT SPRING	KE1
58	3D		G02-1375-03	FLAT SPRING	KE1
59	2D		G02-1376-03	FLAT SPRING	KE1
61	2D		G02-1378-14	FLAT SPRING	KE1
62	3C		G02-1380-04	FLAT SPRING	KE1
63	2C		G10-1045-14	FELT	KE1
68	2D		J11-0637-03	CLAMPER	KE1
69	3D		J21-9592-04	MOUNTING HARDWARE	KE1
70	1D		J21-9597-03	MOUNTING HARDWARE	KE1
71	2D		J90-0759-03	GUIDE	KE1
74	2C		J90-0992-03	RAIL	KE1
75	2D		J90-0990-03	GUIDE	KE1
FPC1	3D		J84-0141-05	FLEXIBLE PRINTED WIRING BOARD	KE1
A	2C		N09-4126-05	MACHINE SCREW (2X3.5)	KE1
B	3C		N09-4288-05	TAPTITE SCREW (2X2.5)	KE1
C	3C		N86-2005-46	BINDING HEAD TAPTITE SCREW	KE1
D	2D		N09-4189-05	TAPTITE SCREW (1.7X1.5)	KE1
E	3D		N09-4154-05	TAPTITE SCREW	KE1
F	2D		N09-4181-05	MACHINE SCREW (M1.7X3)	KE1
G	3D		N39-1722-46	PAN HEAD MACHINE SCREW	KE1
H	3A		N09-6108-05	MACHINE SCREW (M2*3.5)	KE1
J	3C		N19-2105-14	FLAT WASHER	KE1
K	3C		N19-2058-04	FLAT WASHER	KE1
L	1D		N19-2080-14	FLAT WASHER	KE1
M	2D		N19-2028-04	FLAT WASHER	KE1
76	3C	*	R33-0207-15	SLIDE TYPE VARIABLE RESISTOR	KE1
M1	3D		T42-0797-04	DC MOTOR ASSY (SP)	KE1
M2,3	3C		T42-0788-05	DC MOTOR	KE1
Q15	3C		2SB1548(P)	TRANSISTOR	KE1
Q15	3C		2SB1565(E,F)	TRANSISTOR	KE1
PU1	3D		X93-2000-00	OPTICAL PICKUP ASSY	KE1
FM MODULATOR					
401	1H	*	A01-2853-08	METALLIC CABINET	K1KM1
401	1H	*	A01-2855-08	METALLIC CABINET	E1
403	3G	*	A46-1806-08	REAR COVER	K1KM1
403	3G	*	A46-1812-08	REAR COVER	E1
PA1	2G	*	A64-3412-08	PANEL ASSY	K1KM1
PA1	2G	*	A64-3414-08	PANEL ASSY	E1
RM1	1G	*	A70-2051-05	REMOTE CONTROLLER ASSY (RC-535)	K1M1
RM1	1G	*	A70-2052-05	REMOTE CONTROLLER ASSY (RC-525)	E1
406	2G	*	B10-4561-08	FRONT GLASS	
407	1G	*	B19-2269-08	LIGHTING BOARD	
408	2G	*	B19-2270-08	LIGHTING BOARD	
411	2G	*	E29-1992-08	CONDUCTIVE RUBBER	

E1 : KDC-C471FM K : KDC-C471FM K1 : KDC-C521FM M1 : KDC-C521FM
(E : Europe K : North America M : Other Areas)

△ Indicates safety critical components.

PARTS LIST

* New parts

Parts without **Parts No.** are not supplied.

Les articles non mentionnés dans le **Parts No.** ne sont pas fournis.

Teile ohne **Parts No.** werden nicht geliefert.

FM MODULATOR

Ref. No.	Ad	New	Parts No.	Description	Destination	Ref. No.	Ad	New	Parts No.	Description	Destination
F1,2	1H		F06-3026-05	FUSE 3A		C307			CC73GCH1H180J	CHIP C 18PF J	
-		*	H12-2756-08	PACKING FIXTURE		C308			CC73GCH1H471J	CHIP C 470PF J	
-		*	H12-2757-08	PACKING FIXTURE		C309			CE04DW1H4R7M	ELECTRO 4.7UF 50WV	
414	2G	*	J19-7009-08	UNIT HOLDER		C312			CE04DW1E470M	ELECTRO 47UF 25WV	
415	2G	*	K24-4174-08	KNOB (UP/DOWN)	K1KM1	C313			CE04DW1A101M	ELECTRO 100UF 10WV	
415	2G	*	K24-4215-08	KNOB (UP/DOWN)	E1	C314			CC73GCH1H330J	CHIP C 33PF J	
416	2G	*	K24-4175-08	KNOB (MENU)	K1KM1	C315			CK73GB1H332K	CHIP C 3300PF K	
416	2G	*	K24-4217-08	KNOB (MENU)	E1	C401			CE04DW1E220M	ELECTRO 22UF 25WV	
417	2G	*	K24-4213-08	KNOB (SEEK)	K1KM1	C402			CE04DW1E100M	ELECTRO 10UF 25WV	
417	2G	*	K24-4216-08	KNOB (SEEK)	E1	C403			CC73GCH1H101J	CHIP C 100PF J	
418	2G	*	K25-1653-08	KNOB (1-6)		C404			CC73GCH1H120J	CHIP C 12PF J	
419	2G	*	K29-7101-08	KEY TOP (SRC)		C405			CE04DW1H4R7M	ELECTRO 4.7UF 50WV	
420	2G	*	K29-7102-08	KNOB BASE (SRC HOLDER)		C411-413			CC73GCH1H150J	CHIP C 15PF J	
422	1G	*	N99-1755-08	SCREW		C414			CC73GCH1H471J	CHIP C 470PF J	
A	3H		N30-3006-45	PAN HEAD MACHINE SCREW		C416			CK73GB1E223K	CHIP C 0.022UF K	
B	2G		N82-2005-45	BINDING HEAD TAPTITE SCREW		C418			CC73GCH1H101J	CHIP C 100PF J	
C	3G	*	N82-2008-43	BINDING HEAD TAPTITE SCREW		C419			CC73GCH1H330J	CHIP C 33PF J	
E	1H		N86-2606-45	BINDING HEAD TAPTITE SCREW		C420			CK73GB1E223K	CHIP C 0.022UF K	
F	2H		N86-2606-46	BINDING HEAD TAPTITE SCREW		C421			CC73GCH1H471J	CHIP C 470PF J	
423	1G		T90-0512-05	ANTENNA ADAPTOR	E1	C451			CC73GCH1H471J	CHIP C 470PF J	
424	1G		T90-0521-05	ANTENNA ADAPTOR	E1	C501			CC73GCH1H330J	CHIP C 33PF J	
425	1G	*	W01-1633-08	VELCRO		C502			CC73GCH1H220J	CHIP C 22PF J	
FM MODULATOR UNIT						C504			CK73GB1E223K	CHIP C 0.022UF K	
C1			CE04DW1A221M	ELECTRO 220UF 10WV		C505			CK73GB0J105K	CHIP C 1.0UF K	
C102		*	C93-1371-08	CHIP C 1000PF J		C506	*		C94-0228-08	ELECTRO 1000UF 16WV	
C103			CE04BW1H4R7M	NP-ELEC 4.7UF 50WV		C517-522			CC73GCH1H101J	CHIP C 100PF J	
C104			CK73GB1C104K	CHIP C 0.10UF K		C551			CK73GB1C104K	CHIP C 0.10UF K	
C106			CE04DW1H010M	ELECTRO 1.0UF 50WV		C552			CK73GB1H103K	CHIP C 0.010UF K	
C107			CK73GB1H472K	CHIP C 4700PF K		C561-566			CC73GCH1H101J	CHIP C 100PF J	
C108			CC73GCH1H180J	CHIP C 18PF J		C602	*		C94-0228-08	ELECTRO 1000UF 16WV	
C109			CK73GB1H153K	CHIP C 0.015UF K		C603			CE04DW1A101M	ELECTRO 100UF 10WV	
C112			CE04DW1E220M	ELECTRO 22UF 25WV		C604			CK73GB1C104K	CHIP C 0.10UF K	
C114			CC73GCH1H681J	CHIP C 680PF J	E1	C608			CK73GB1C104K	CHIP C 0.10UF K	
C114		*	C93-1371-08	CHIP C 1000PF J	K1KM1	C651			CK73GB1C104K	CHIP C 0.10UF K	
C115			CK73GB0J105K	CHIP C 1.0UF K		C652			CK73GB0J105K	CHIP C 1.0UF K	
C118		*	C91-2274-08	MP-F C 0.22UF J		SC501	*		C90-6703-08	ELECTRO 0.47F 5.5WV	
C120			CE04DW1H4R7M	ELECTRO 4.7UF 50WV		AT1	1G	*	E30-6376-08	CORD WITH PLUG (ANT)	
C202		*	C93-1371-08	CHIP C 1000PF J		DC1	1H	*	E30-6377-08	DC CORD ASSY	
C203			CE04BW1H4R7M	NP-ELEC 4.7UF 50WV		LUG1			E23-0746-05	TERMINAL	
C207			CK73GB1H472K	CHIP C 4700PF K		PN301,302		*	E41-2228-08	PIN ASSY	
C208			CC73GCH1H180J	CHIP C 18PF J		PN302		*	E41-2229-08	PIN ASSY	
C209			CK73GB1H153K	CHIP C 0.015UF K		SKT401		*	E56-0860-08	CYLINDRICAL RECEPTACLE (8P MIN DIN)	
C212			CE04DW1E220M	ELECTRO 22UF 25WV		SKT402		*	E56-0861-08	CYLINDRICAL RECEPTACLE (13P DIN)	
C214			CC73GCH1H681J	CHIP C 680PF J	E1	VC401		*	KDV1472-B	VARIABLE CAPACITANCE DIODE	
C214		*	C93-1371-08	CHIP C 1000PF J	K1KM1	L601		*	L33-2220-08	CHOKO COIL 100UH	
C218		*	C91-2274-08	MP-F C 0.22UF J		X301		*	L77-2895-08	CRYSTAL RESONATOR 38KHZ	
C220			CE04DW1H4R7M	ELECTRO 4.7UF 50WV		X501		*	L77-2894-08	CRYSTAL RESONATOR 4.5MHZ	
C301			CE04DW1E100M	ELECTRO 10UF 25WV		J401-403			R92-2053-05	CHIP R 0 J 1/8W	
C302			CC73GCH1H101J	CHIP C 100PF J		R102			RK73GB2A152J	CHIP R 1.5K J 1/10W	
C303			CC73GCH1H150J	CHIP C 15PF J		R103			RK73GB2A682J	CHIP R 6.8K J 1/10W	
C306			CK73GB1E333K	CHIP C 0.033UF K		R104,105			RK73GB2A103J	CHIP R 10K J 1/10W	
						R107,108			RK73GB2A103J	CHIP R 10K J 1/10W	

E1 : KDC-C471FM K : KDC-C471FM K1 : KDC-C521FM M1 : KDC-C521FM

(E : Europe K : North America M : Other Areas)

△ Indicates safety critical components.

PARTS LIST

* New parts

Parts without **Parts No.** are not supplied.

Les articles non mentionnés dans le **Parts No.** ne sont pas fournis.

Teile ohne **Parts No.** werden nicht geliefert.

FM MODULATOR UNIT

Ref. No.	Add	New	Parts No.	Description	Destination	Ref. No.	Add	New	Parts No.	Description	Destination
R109			RK73GB2A682J	CHIP R 6.8K J 1/10W		R513			RK73FB2A472J	CHIP R 4.7K J 1/10W	
R110			RK73GB2A103J	CHIP R 10K J 1/10W		R514			RK73FB2B332J	CHIP R 3.3K J 1/8W	
R112,113			RK73GB2A682J	CHIP R 6.8K J 1/10W		R515			RK73FB2B102J	CHIP R 1.0K J 1/8W	
R115			RK73GB2A222J	CHIP R 2.2K J 1/10W		R516			RK73FB2B332J	CHIP R 3.3K J 1/8W	
R116			RK73GB2A362J	CHIP R 3.6K J 1/10W		R517			RK73FB2B102J	CHIP R 1.0K J 1/8W	
R117			RK73GB2A471J	CHIP R 470 J 1/10W		R518			RK73FB2B221J	CHIP R 220 J 1/8W	
R118			RK73GB2A152J	CHIP R 1.5K J 1/10W		R519-521			RK73FB2B102J	CHIP R 1.0K J 1/8W	
R120		*	RK73GB2A753J	CHIP R 75K J 1/10W		R522			RK73FB2A472J	CHIP R 4.7K J 1/10W	
R121			RK73GB2A473J	CHIP R 47K J 1/10W		R531			RK73GB2A104J	CHIP R 100K J 1/10W	
R202			RK73GB2A152J	CHIP R 1.5K J 1/10W		R534			RK73GB2A104J	CHIP R 100K J 1/10W	
R203			RK73GB2A682J	CHIP R 6.8K J 1/10W		R536			RK73GB2A104J	CHIP R 100K J 1/10W	
R204,205			RK73GB2A103J	CHIP R 10K J 1/10W		R551,552			RK73FB2B103J	CHIP R 10K J 1/8W	
R207,208			RK73GB2A103J	CHIP R 10K J 1/10W		R601			RK73GB2A103J	CHIP R 10K J 1/10W	
R209			RK73GB2A682J	CHIP R 6.8K J 1/10W		R602,603			RK73GB2A472J	CHIP R 4.7K J 1/10W	
R210			RK73GB2A103J	CHIP R 10K J 1/10W		R604-606			RK73FB2B103J	CHIP R 10K J 1/8W	
R212,213			RK73GB2A682J	CHIP R 6.8K J 1/10W		R607			RK73FB2A472J	CHIP R 4.7K J 1/10W	
R215			RK73GB2A222J	CHIP R 2.2K J 1/10W		R611			RK73GB2A103J	CHIP R 10K J 1/10W	
R217			RK73GB2A471J	CHIP R 470 J 1/10W		R612			RK73GB2A472J	CHIP R 4.7K J 1/10W	
R220		*	RK73GB2A753J	CHIP R 75K J 1/10W		R613,614			RK73GB2A102J	CHIP R 1.0K J 1/10W	
R301			RK73GB2A102J	CHIP R 1.0K J 1/10W		R617			RK73FB2A472J	CHIP R 4.7K J 1/10W	
R302			RK73GB2A152J	CHIP R 1.5K J 1/10W		R617			RK73GB2A473J	CHIP R 47K J 1/10W	
R303,304			RK73GB2A103J	CHIP R 10K J 1/10W		R651			RK73GB2A471J	CHIP R 470 J 1/10W	
R306			RK73GB2A682J	CHIP R 6.8K J 1/10W		VR301,302	*		R32-0295-08	SEMI FIXED VARIABLE RESIS. 10K	
R307			RK73GB2A683J	CHIP R 68K J 1/10W		RY401	*		S76-0814-08	RELAY RF	
R308			RK73GB2A155J	CHIP R 1.5M J 1/10W		D101	*		KDS122	DIODE	
R309			RK73GB2A471J	CHIP R 470 J 1/10W		D201	*		KDS122	DIODE	
R310			RK73GB2A561J	CHIP R 560 J 1/10W		D301	*		KDS122	DIODE	
R311			RK73FB2B331J	CHIP R 330 J 1/8W		D601-605			1N4004A	DIODE	
R314			RK73GB2A222J	CHIP R 2.2K J 1/10W		IC101-103	*		CO5532A	ANALOGUE IC	
R316			RK73GB2A332J	CHIP R 3.3K J 1/10W		IC301			NJM2035M	ANALOGUE IC	
R318			RK73GB2A682J	CHIP R 6.8K J 1/10W		IC302	*		CO5532A	ANALOGUE IC	
R321			RK73GB2A223J	CHIP R 22K J 1/10W		IC501	*		LC72366-9B63	MICROCONTROLLER IC	
R322-324			RK73GB2A103J	CHIP R 10K J 1/10W		IC601	*		KIA7806AF	ANALOGUE IC	
R325			RK73GB2A154J	CHIP R 150K J 1/10W		Q102,103	*		KTK5134S	FET	
R327			RK73GB2A4R7J	CHIP R 4.7 J 1/10W		Q203	*		KTK5134S	FET	
R351			RK73GB2A223J	CHIP R 22K J 1/10W		Q301	*		KTC3875S-Y	TRANSISTOR	
R352			RK73GB2A332J	CHIP R 3.3K J 1/10W		Q303-305	*		KTK5134S	FET	
R353			RK73GB2A681J	CHIP R 680 J 1/10W		Q351	*		KTC3875S-Y	TRANSISTOR	
R355			RK73GB2A183J	CHIP R 18K J 1/10W		Q401,402	*		KTC3879S-Y	TRANSISTOR	
R356			RK73GB2A222J	CHIP R 2.2K J 1/10W		Q411	*		KTC4080-0	TRANSISTOR	
R401			RK73GB2A223J	CHIP R 22K J 1/10W		Q501,502	*		KRC110S	TRANSISTOR	
R402			RK73GB2A222J	CHIP R 2.2K J 1/10W		Q601	*		KTA1505S-Y	TRANSISTOR	
R403			RK73GB2A561J	CHIP R 560 J 1/10W		Q602	*		KRC110S	TRANSISTOR	
R404			RK73GB2A104J	CHIP R 100K J 1/10W		Q603	*		KTC3875S-Y	TRANSISTOR	
R405,406			RK73GB2A103J	CHIP R 10K J 1/10W		Q604			KRC103S	TRANSISTOR	
R407			RK73GB2A101J	CHIP R 100 J 1/10W		Q605	*		KTA1505S-Y	TRANSISTOR	
R411			RK73GB2A153J	CHIP R 15K J 1/10W		Q606	*		KTC4374-Y	TRANSISTOR	
R412			RK73GB2A221J	CHIP R 220 J 1/10W		Q607	*		KRC103S	TRANSISTOR	
R413			RK73GB2A152J	CHIP R 1.5K J 1/10W		Q608	*		KRC110S	TRANSISTOR	
R414			RK73GB2A222J	CHIP R 2.2K J 1/10W		Q609	*		KRC105S	TRANSISTOR	
R451			RK73GB2A391J	CHIP R 390 J 1/10W		ZD511-516	*		KDZ5.6EV	ZENER DIODE	
R501			RK73GB2A103J	CHIP R 10K J 1/10W		ZD518	*		KDZ5.6EV	ZENER DIODE	
R502,503			RK73FB2B103J	CHIP R 10K J 1/8W		ZD601,602	*		KDZ5.6EV	ZENER DIODE	
R511			RK73FB2B332J	CHIP R 3.3K J 1/8W		ZD603	*		KDZ8.2EV	ZENER DIODE	
R512			RK73FB2B102J	CHIP R 1.0K J 1/8W							

E1 : KDC-C471FM K : KDC-C471FM K1 : KDC-C521FM M1 : KDC-C521FM
 (E : Europe K : North America M : Other Areas)

△ Indicates safety critical components.

PARTS LIST

* New parts

Parts without **Parts No.** are not supplied.

Les articles non mentionnés dans le **Parts No.** ne sont pas fournis.

Teile ohne **Parts No.** werden nicht geliefert.

Ref. No.	A d d	N e w	Parts No.	Description	Desti- nation
CONTROL UNIT					
441	2G	*	B11-1465-08	REFLECTION SHEET	
442	3G	*	B11-1466-08	OPTICAL DIFFUSER	
443	3G	*	B11-1467-08	REFLECTION SHEET	
444	3G	*	B19-2271-08	LIGHTING BOARD	
D701,702		*	B30-1698-05	LED	
D703			B30-1564-05	LED	
D704-716			B30-1567-05	LED	
LCD1	3G	*	B38-1161-08	LIQUID CRYSTAL	
C701-703			CK73GB1C104K	CHIP C 0.10UF K	
C704			CC73GCH1H681J	CHIP C 680PF J	
C705-707			CK73GB1C104K	CHIP C 0.10UF K	
C708		*	C92-1895-08	ELECTRO 10UF 16WV	
C709		*	C92-1896-08	ELECTRO 47UF 16WV	
C710		*	C92-1895-08	ELECTRO 10UF 16WV	
C711			CK73GB1E223K	CHIP C 0.022UF K	
446	3G	*	E29-2020-08	CONDUCTIVE RUBBER	
CN701		*	E30-6378-08	CORD WITH DIN CONNECTOR	
R701-703			RK73GB2A331J	CHIP R 330 J 1/10W	
R704			RK73GB2A391J	CHIP R 390 J 1/10W	
R705-710			RK73GB2A221J	CHIP R 220 J 1/10W	
R711-719			RK73GB2A102J	CHIP R 1.0K J 1/10W	
R720			RK73GB2A473J	CHIP R 47K J 1/10W	
R722-726			RK73GB2A472J	CHIP R 4.7K J 1/10W	
R727			RK73GB2A473J	CHIP R 47K J 1/10W	
R728			RK73GB2A100J	CHIP R 10 J 1/10W	
R729,730			RK73GB2A471J	CHIP R 470 J 1/10W	
R731			RK73GB2A102J	CHIP R 1.0K J 1/10W	
R732			RK73GB2A471J	CHIP R 470 J 1/10W	
R733,734			RK73GB2A102J	CHIP R 1.0K J 1/10W	
R735			RK73GB2A100J	CHIP R 10 J 1/10W	
R736			RK73GB2A101J	CHIP R 100 J 1/10W	
R737			RK73GB2A473J	CHIP R 47K J 1/10W	
R751			RK73GB2A102J	CHIP R 1.0K J 1/10W	
D717-722		*	KDS122	DIODE	
IC701			LC75808W	MOS-IC	
IC702		*	NJL67H380A	ANALOGUE IC	
Q701			KTC3875S	TRANSISTOR	
Q702			KRA303	TRANSISTOR	
Q703			KRA305	TRANSISTOR	

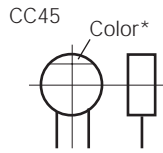
Ref. No.	A d d	N e w	Parts No.	Description	Desti- nation

PARTS LIST

CAPACITORS

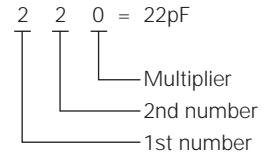
$\frac{C}{1} \frac{C}{2} \frac{45}{3} \frac{TH}{4} \frac{1H}{5} \frac{220}{6} \frac{J}{7}$

- 1 = Type ... ceramic, electrolytic, etc.
- 2 = Shape ... round, square, etc.
- 3 = Temp. coefficient
- 4 = Voltage rating
- 5 = Value
- 6 = Tolerance



• Capacitor value

- 010 = 1pF
- 100 = 10pF
- 101 = 100pF
- 102 = 1000pF = 0.001μF
- 103 = 0.01μF



• Temperature coefficient

1st Word	C	L	P	R	S	T	U
Color*	Black	Red	Orange	Yellow	Green	Blue	Violet
ppm/°C	0	-80	-150	-220	-330	-470	-750

2nd Word	G	H	J	K	L
ppm/°C	±30	±60	±120	±250	±500

Example : CC45TH = -470±60ppm/°C

• Tolerance (More than 10pF)

Code	C	D	G	J	K	M	X	Z	P	No code
(%)	±0.25	±0.5	±2	±5	±10	±20	+40 -20	+80 -20	+100 -0	More than 10μF : -10~+50 Less than 4.7μF : -10~+75

(Less than 10pF)

Code	B	C	D	F	G
(pF)	±0.1	±0.25	±0.5	±1	±2

• Voltage rating

2nd word \ 1st word	A	B	C	D	E	F	G	H	J	K	V
0	1.0	1.25	1.6	2.0	2.5	3.15	4.0	5.0	6.3	8.0	-
1	10	12.5	16	20	25	31.5	40	50	63	80	35
2	100	125	160	200	250	315	400	500	630	800	-
3	1000	1250	1600	2000	2500	2150	4000	5000	6300	8000	-

CHIP CAPACITORS

(EX) $\frac{C}{1} \frac{C}{2} \frac{73}{3} \frac{F}{4} \frac{SL}{5} \frac{1H}{6} \frac{000}{7} \frac{J}{7}$ Refer to the table above.

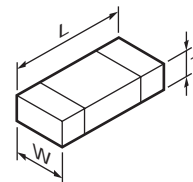
(Chip) (CH, RH, UJ, SL)

(EX) $\frac{C}{1} \frac{K}{2} \frac{73}{3} \frac{F}{4} \frac{F}{5} \frac{1H}{6} \frac{000}{7} \frac{Z}{7}$

(Chip) (B, F)

- 1 = Type
- 2 = Shape
- 3 = Dimension
- 4 = Temp. coefficient
- 5 = Voltage rating
- 6 = Value
- 7 = Tolerance

• Dimension



Chip capacitor

Code	L	W	T
Empty	5.6±0.5	5.0±0.5	Less than 2.0
A	4.5±0.5	3.2±0.4	Less than 2.0
B	4.5±0.5	2.0±0.3	Less than 2.0
C	4.5±0.5	1.25±0.2	Less than 1.25
D	3.2±0.4	2.5±0.3	Less than 1.5
E	3.2±0.2	1.6±0.2	Less than 1.25
F	2.0±0.3	1.25±0.2	Less than 1.25
G	1.6±0.2	0.8±0.2	Less than 1.0
H	1.0±0.05	0.5±0.05	0.5±0.05

Chip resistor

Code	L	W	T
E	3.2±0.2	1.6±0.2	1.0
F	2.0±0.3	1.25±0.2	1.0
G	1.6±0.2	0.8±0.2	0.5±0.1
H	1.0±0.05	0.5±0.05	0.35±0.05

RESISTORS

• Chip resistor (Carbon)

(EX) $\frac{R}{1} \frac{D}{2} \frac{73}{3} \frac{E}{4} \frac{B}{5} \frac{2B}{6} \frac{000}{7} \frac{J}{7}$

(Chip) (B, F)

• Carbon resistor (Normal type)

(EX) $\frac{R}{1} \frac{D}{2} \frac{14}{3} \frac{B}{4} \frac{B}{5} \frac{2C}{6} \frac{000}{7} \frac{J}{7}$

(Chip) (B, F)

- 1 = Type ... ceramic, electrolytic, etc.
- 2 = Shape ... round, square, etc.
- 3 = Dimension
- 4 = Temp. coefficient
- 5 = Voltage rating
- 6 = Value
- 7 = Tolerance

• Rating wattage

Code	Wattage	Code	Wattage	Code	Wattage
1J	1/16W	2C	1/6W	3A	1W
2A	1/10W	2E	1/4W	3D	2W
2B	1/8W	2H	1/2W		

SPECIFICATIONS

Disc section

Laser Diode	GaAlAs ($\lambda=780$ nm)
Digital Filter (D/A)	8 Times Over Sampling
D/A Converter	1bit
Spindle Speed	500~200 rpm (CLV)
Wow & Flutter	Below Measurable Limit
Frequency Response (± 1 dB)	10Hz~20kHz
Modulating Frequency (200kHz STEP)	87.7, 87.9, 88.1, 88.3, 88.5, 88.7MHz
.....	88.9, 89.1, 89.3, 89.5, 89.7, 89.9MHz

General

Operating Voltage	14.4V (11~16V)
Current Consumption	1.4A
Operating Temperature	-10~50°C
Size (W x H x D)	
CD changer (KDC-C521FM)	250 x 80 x 176 mm (9-13/16 x 3-1/8 x 6-13/16 in.)
(KDC-C471FM)	250 x 64 x 176 mm (9-13/16 x 2-1/2 x 6-13/16 in.)
Controller	45 x 140 x 29 mm (1-12/16 x 5-8/16 x 1-1/8 in.)
Display unit	154 x 43 x 17 mm (6-1/16 x 1-11/16 x 11/16 in.)
FM modulator unit	126 x 30 x 69 mm (4-15/16 x 1-3/16 x 2-6/8 in.)
Trim mount plate	188 x 58 x 18 mm (7-3/8 x 2-5/16 x 11/16 in.)
Weight	
CD changer (KDC-C521FM)	2kg (4.4 lbs)
(KDC-C471FM)	1.8kg (4.0 lbs)
Controller	0.09kg (0.2 lbs)
Display unit	0.145kg (0.32 lbs)
FM modulator unit	0.4kg (0.88 lbs)

KENWOOD follows a policy of continuous advancements in development.
For this reason specifications may be changed without notice.

KENWOOD CORPORATION

2967-3, Ishikawa-machi, Hachioji-shi, Tokyo, 192-8525 Japan

KENWOOD USA CORPORATION
P.O. Box 22745, 2201 East Dominguez Street, Long Beach, CA 90801-5745, U.S.A.

KENWOOD ELECTRONICS CANADA INC.
6070 Kestrel Road, Mississauga, Ontario, Canada L5T 1S8

KENWOOD ELECTRONICS LATIN AMERICA S.A.
P.O. Box 55-2791 Paitilla, Plaza Credicorp Bank Panama,
Piso 9, Oficina 901, Calle 50, Panama, Rep. de Panama

KENWOOD ELECTRONICS BRASIL LTDA.
Alameda Ministro Rocha Azevedo No. 456,
Edifício Jaú, 10o Andar, Cerqueira César, Cep 0140-001,
São Paulo-SP-Brasil

KENWOOD ELECTRONICS UK LIMITED
Kenwood House, Dwight Road, Watford, Herts, WD18 9EB, United Kingdom

KENWOOD ELECTRONICS DEUTSCHLAND GMBH
Rembrücker-Str. 15, 63150 Heusenstamm, Germany

KENWOOD ELECTRONICS FRANCE S.A.
13, Boulevard Ney, 75018 Paris, France

KENWOOD ELECTRONICS BELGIUM N.V.
Leuvensesteenweg 248 J, 1800 Vilvoorde, Belgium

KENWOOD ELECTRONICS ITALIA S.p.A.
Via G. Sirtori 7/9, 20129 Milano, Italy

KENWOOD IBÉRICA S.A.
Bolivia, 239-08020 Barcelona, Spain

KENWOOD ELECTRONICS AUSTRALIA PTY. LTD. (A.C.N. 001 499 074)
16 Giffnock Avenue, Centrecourt Estate, North Ryde,
N.S.W. 2113, Australia

KENWOOD ELECTRONICS (HONG KONG) LTD.
Unit 3712-3724, Level 37, Tower 1, Metroplaza, 223 Hing Fong Road, Kwai Fong, N.T.,
Hong Kong

KENWOOD ELECTRONICS GULF FZE
P.O. Box 61318, Jebel Ali, Dubai, U.A.E.

KENWOOD ELECTRONICS (THAILAND) CO., LTD.
956 Udom Vidhya Building (Olympia) Rama IV Road, Silom, Bangkok, Bangkok 10500 Thailand

KENWOOD ELECTRONICS SINGAPORE PTE. LTD.
1 Genting Lane, #07-00, Kenwood Building, Singapore, 349544

KENWOOD ELECTRONICS (MALAYSIA) SDN BHD
#4.01 Level 4, Wisma Academy Lot 4A, Jalan 19/1, 46300 Petaling Jaya, Selangor Darul Ehsan,
Malaysia